







Panel Mount Signaling Alarms	Page 11-2
<ul style="list-style-type: none"> • Bulletin 855P Sounders..... Page 11-3 • Bulletin 855PC Sounders with LED Page 11-4 • Bulletin 855PS Strobes Page 11-5 • Bulletin 855PB Selectable Steady or Flashing LED Page 11-6 • Bulletin 855PD Dual Circuit Alarms Page 11-7 	
Industrial Horns and Beacons	Page 11-10
<ul style="list-style-type: none"> • Bulletin 855H General Purpose Electronic Horns Page 11-11 • Bulletin 855H High-Performance Electronic Horns Page 11-13 • Bulletin 855H High-Performance Electronic Horns with Attached Strobe Beacons Page 11-14 • Bulletin 855B Mini Square Beacons..... Page 11-18 • Bulletin 855BS 90 mm Round Beacons..... Page 11-20 • Bulletin 855BM 120 mm Round Beacons..... Page 11-20 • Bulletin 855BL 160 mm Round Beacons Page 11-20 	
Signal and Control Tower™ Lights	Page 11-30
<ul style="list-style-type: none"> • Bulletin 855W Wall Mount Signal Lights..... Page 11-31 • Bulletin 855D 30 mm Compact Control Tower™ Stack Lights Page 11-34 • Bulletin 855F 70 mm Compact Control Tower™ Stack Lights Page 11-38 • Bulletin 855E 50 mm Control Tower™ Stack Lights Page 11-42 • Bulletin 855T 70 mm Control Tower™ Stack Lights Page 11-48 	
Hazardous Location Devices	Page 11-64
<ul style="list-style-type: none"> • Bulletin 855X..... Page 11-65 	

Panel Mount Signaling Alarms

Product Overview

					
Bulletin	855P	855PC	855PS	855PB	855PD
Type	Panel Mount Sounder	Panel Mount Sounder with LED	Panel Mount Strobe	Panel Mount Selectable Steady or Flashing LED	Panel Mount Dual Circuit Alarms
Mounting Hole Size	22.5 or 30.5 mm with Hole Adapter Kit	22.5 or 30.5 mm with Hole Adapter Kit	22.5 or 30.5 mm with Hole Adapter Kit	22.5 or 30.5 mm with Hole Adapter Kit	22.5 or 30.5 mm with Hole Adapter Kit
Environmental Rating	UL Type 4/4X/13, IP65				
Voltages Available	12...24V AC/DC, 120V AC, 240V AC	12V AC/DC, 24V AC/DC, 120V AC, 240V AC	12V AC/DC, 24V AC/DC, 120V AC, 240V AC	12V AC/DC, 24V AC/DC, 120V AC, 240V AC	12V AC/DC, 24V AC/DC, 120V AC, 240V AC
Illumination Type	—	LED (Flashing or Continuous)	Strobe	LED (Flashing or Continuous)	LED (Flashing or Continuous)
Lens Color Available	—	Green, Red, Amber, Blue, Yellow, Clear	Green, Red, Amber, Blue, Yellow, Clear	Green, Red, Amber, Blue, Yellow, Clear	Green, Red, Amber, Blue, Yellow, Clear
Operating Temperature	-25...+60 °C	-25...+60 °C	-25...+60 °C	-25...+60 °C	-25...+60 °C
Sound Output	80, 100, or 105 dB	98 or 103 dB	—	—	—
Sound Type	Continuous, Pulsing, or Wobble (LE)	Continuous, Pulsing, or Wobble (LE)	—	—	—
Minimum Sound Level	<85 dB	<85 dB	—	—	—
Steady State Current	20...57 mA	35...73 mA	20...75 mA	10...150 mA	10...150 mA
Diameter	30, 45, 65 mm	45, 65 mm	30, 45, 65 mm	30, 45, 65 mm	30, 45, 65 mm
Certifications	cULus Listed, CE Marked	cULus Listed, CE Marked	cULus Listed, CE Marked	cULus Listed, CE Marked	cULus Listed, CE Marked
Product Selection	Page 11-3	Page 11-4	Page 11-5	Page 11-6	Page 11-7

	<p>Bulletin 855P — Panel Mount Signaling Alarms</p> <ul style="list-style-type: none"> • Mounts in standard 22.5 mm hole • Watertight panel alarms in three different sizes • Sound output 72...105 dB @ 1 meter • UL Type 4/4X/13, IP65 • Combination sounder and LED products • Panel mount strobe or LED indicator products • Plug-in terminal blocks, IP2X finger-safe rated • Single-circuit functions include: <ul style="list-style-type: none"> - Sounder with selectable continuous or pulsing tone (also wobble on 65 mm) - Combined sounder with LED beacon - Xenon flashing strobe - LED beacon, selectable steady, or flashing • Dual-circuit functions include: <ul style="list-style-type: none"> - Two-color LED beacon half-lens illumination - Two-color LED beacon full-lens illumination - Combined sounder with LED beacon 	<p>Table of Contents</p> <p>Product Selection this page</p> <p>Accessories..... 11-5</p> <p>Specifications..... 11-6</p> <p>Approximate Dimensions..... 11-7</p> <p>Standards Compliance</p> <p>EN/IEC 60947-1 EN/IEC 60947-5-1 UL 508 CSA C22.2 No. 14</p> <p>Certifications</p> <p>cULus Listed (File No. E14840, Guides NKCR, NKCR7) CE Marked</p>
---	--	---

Bulletin 855P — Panel Mount Sounder

855P – $\frac{B}{a}$ $\frac{10}{b}$ $\frac{ME}{c}$ $\frac{22}{d}$



Housing Color		Size		Mounting Hole	
Code	Description	Code	Description	Code	Description
B	Black	SE	30 mm, fully-enclosed, smooth front, 72 dB	22	22.5 mm
a		SH	30 mm, high output, 80 dB		
b		ME	45 mm		
Voltage		LE	65 mm		
Code	Description				
30	12...24V AC/DC				
10	120V AC				
20	240V AC				

Voltage	Description	Cat. No.
12...24V AC/DC	30 mm diameter, fully-enclosed, smooth front, 72 dB	855P-B30SE22
	30 mm diameter, high output, 80 dB	855P-B30SH22
	45 mm diameter, 100 dB	855P-B30ME22
	65 mm diameter, 105 dB	855P-B30LE22
120V AC	30 mm diameter, fully-enclosed, smooth front, 72 dB	855P-B10SE22
	30 mm diameter, high output, 80 dB	855P-B10SH22
	45 mm diameter, 100 dB	855P-B10ME22
	65 mm diameter, 105 dB	855P-B10LE22

Panel Mount Signaling Alarms

Product Selection, Continued

Bulletin 855PC — Panel Mount Combined Sounder with LED Beacon

855PC – B 10 ME 3 22
a *b* *c* *d* *e*



45 mm Panel Mount Combined Sounder with LED Beacon



65 mm Panel Mount Combined Sounder with LED Beacon

a

Housing Color	
Code	Description
B	Black

c

Diameter	
Code	Description
ME	45 mm
LE	65 mm

d

Lens Color	
Code	Description
3	Green
4	Red
5	Amber
6	Blue
7	Clear
8	Yellow

b

Voltage	
Code	Description
12	12V AC/DC
24	24V AC/DC
10	120V AC
20	240V AC

e

Mounting Hole	
Code	Description
22	22.5 mm

Voltage	Diameter [mm]	Lens Color	Cat. No.
24V AC/DC	45	Green	855PC-B24ME322
		Red	855PC-B24ME422
	65	Green	855PC-B24LE322
		Red	855PC-B24LE422
120V AC	45	Green	855PC-B10ME322
		Red	855PC-B10ME422
	65	Green	855PC-B10LE322
		Red	855PC-B10LE422

Bulletin 855PS — Panel Mount Xenon Strobe

855PS – B 10 ME 3 22
 a *b* *c* *d* *e*



30 mm Panel Mount Strobe



45 mm Panel Mount Strobe



65 mm Panel Mount Strobe

a

Housing Color	
Code	Description
B	Black

b

Voltage	
Code	Description
12	12V AC/DC
24	24V AC/DC
10	120V AC
20	240V AC
30	12...24V AC/DC

c

Diameter	
Code	Description
SE	30 mm*
ME	45 mm*
LE	65 mm*

* Only available in 12V AC/DC, 24V AC/DC, 120V AC, or 240V AC.

* Only available in 12...24V AC/DC, 120V, or 240V AC.

d

Lens Color	
Code	Description
3	Green
4	Red
5	Amber
6	Blue
7	Clear
8	Yellow

e

Mounting Hole	
Code	Description
22	22.5 mm

Voltage	Diameter [mm]	Lens Color	Cat. No.
24V AC/DC	30	Green	855PS-B24SE322
		Red	855PS-B24SE422
12...24V AC/DC	45	Green	855PS-B30ME322
		Red	855PS-B30ME422
	65	Green	855PS-B30LE322
		Red	855PS-B30LE422
120V AC	30	Green	855PS-B10SE322
		Red	855PS-B10SE422
	45	Green	855PS-B10ME322
		Red	855PS-B10ME422
	65	Green	855PS-B10LE322
		Red	855PS-B10LE422

Panel Mount Signaling Alarms

Product Selection, Continued

Bulletin 855PB — Panel Mount Selectable Steady or Flashing LED Beacon

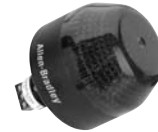
855PB – B 10 ME 3 22
a *b* *c* *d* *e*



30 mm Panel Mount LED Beacon



45 mm Panel Mount LED Beacon



65 mm Panel Mount LED Beacon

a

Housing Color	
Code	Description
B	Black

b

Voltage	
Code	Description
12	12V AC/DC
24	24V AC/DC
10	120V AC
20	240V AC

c

Diameter	
Code	Description
SE	30 mm
ME	45 mm
LE	65 mm

d

Lens Color	
Code	Description
3	Green
4	Red
5	Amber
6	Blue
7	Clear
8	Yellow

e

Mounting Hole	
Code	Description
22	22.5 mm

Voltage	Diameter [mm]	Lens Color	Cat. No.
24V AC/DC	30	Green	855PB-B24SE322
		Red	855PB-B24SE422
	45	Green	855PB-B24ME322
		Red	855PB-B24ME422
	65	Green	855PB-B24LE322
		Red	855PB-B24LE422
120V AC	30	Green	855PB-B10SE322
		Red	855PB-B10SE422
	45	Green	855PB-B10ME322
		Red	855PB-B10ME422
	65	Green	855PB-B10LE322
		Red	855PB-B10LE422

Bulletin 855PD — Panel Mount Dual Circuit Alarms

855PD – **B** **24** **ME** **F** **3** **4** **22**
a b c d e f g



Half-Lens Illumination



Full-Lens Illumination



Combined Sounder with LED Beacon

a

Housing Color	
Code	Description
B	Black

b

Voltage	
Code	Description
12*	12V AC/DC
24	24V AC/DC
10	120V AC
20	240V AC

c

Diameter	
Code	Description
SE	30 mm * †
ME	45 mm
LE	65 mm

d

Function	
Code	Description
F	2-color, Full-Lens Illumination
H	2-color, Half-Lens Illumination w/Barrier
C	Combined Sounder with LED Beacon >

e

LED Color*/Sound	
Code	Description
1	Sound
3	Green
4	Red
5	Amber
6	Blue
7	Clear
8	Yellow ‡

f

LED Color§	
Code	Description
3	Green
4	Red
5	Amber ‡
6	Blue
7	Clear
8	Yellow ‡

g

Mounting Hole	
Code	Description
22	22.5 mm

* Voltage code **12** is only valid for sounder with LED devices.

* 30 mm available in 24V AC/DC only, for 2-color versions.

† The sounder with LED combination devices are not available in the 30 mm size.

‡ The color combination of **Yellow** and **Amber** is not allowed because of their similarity.

§ For two-color devices, the first color code listed in the cat. no. corresponds to the same side as the panel tab found on the housing. For example: 855PD-B24MEH4322 indicates that the **Red** color is on the same side as the panel tab and the **Green** color is on the opposite side as the panel tab.

> The sounder with LED is not available in the 30 mm size.

The products listed in the table below are typically in stock. Additional configurations (voltage, size, color, and sound) are available with extended leadtimes. Contact your local Rockwell Automation sales office or Allen-Bradley distributor for details on availability and pricing.

Function	Voltage	Diameter [mm]	Color(s)	Cat. No.
Sounder with LED	24V AC/DC	45	Green	855PD-B24MEC1322
			Red	855PD-B24MEC1422
	24V AC/DC	65	Green	855PD-B24LEC1322
			Red	855PD-B24LEC1422
	120V AC	45	Green	855PD-B10MEC1322
			Red	855PD-B10MEC1422
120V AC	65	Green	855PD-B10LEC1322	
		Red	855PD-B10LEC1422	
Half-lens, Steady LED Beacon	24V AC/DC	30	Red & Green	855PD-B24SEH4322
		45	Red & Green	855PD-B24MEH4322
	120V AC	65	Red & Green	855PD-B24LEH4322
		45	Red & Green	855PD-B10MEH4322
120V AC	65	Red & Green	855PD-B10LEH4322	
		Red & Green	855PD-B10LEH4322	
Full-lens, Steady LED Beacon	24V AC/DC	30	Red & Green	855PD-B24SEF3422
			45	Red & Green
	24V AC/DC	65	Red & Green	855PD-B24LEF3422
			Red & Green	855PD-B24LEF3422
	120V AC	45	Red & Green	855PD-B10MEF3422
			Red & Green	855PD-B10MEF3422
120V AC	65	Red & Green	855PD-B10LEF3422	
		Red & Green	855PD-B10LEF3422	

Accessories

Description	Cat. No.
22.5...30.5 mm Hole adapter kit	855P-AHA1

Panel Mount Signaling Alarms

Specifications

Panel Sounder and Single/Dual Circuit Panel Sounder with LED

Technical						
Housing:	Base Material	Polycarbonate, black				
	Lens	Polycarbonate, red, amber, yellow, green, blue, and clear				
Protection class	UL Type 4/4X/13, IP65					
Terminals	Plug-in terminal block, up to 2.5 mm ² (14 AWG), IP2X					
Operation temperature range	-25...+60 °C					
Storage temperature range	-25...+85 °C					
Mounting	Central mounting for bore holes 22 mm or 30.5 mm with Hole Adapter Kit					
Mounting nut torque	1.7 N•m (15 lb•in)					
Electrical						
		Sounder			Sounder with Warning Light	
		65 mm	45 mm	30 mm	65 mm	45 mm
Supply voltage range	12V AC/DC - 50/60 Hz	—	—	—	+/-10%	+/-10%
	24V AC/DC - 50/60 Hz	—	—	—	+/-10%	+/-10%
	12...24V AC/DC - 50/60 Hz	8...26V AC/DC	8...26V AC/DC	10...26V AC/DC	—	—
	120V AC - 50/60 Hz	50...140V AC	50...140V AC	80...140V AC	+/-10%	+/-10%
	230/240V AC - 50/60 Hz	150...260V AC	150...260V AC	180...260V AC	+/-10%	+/-10%
Nominal current — single circuit (dual circuit)	12V AC/DC - 50/60 Hz	—	—	—	50 mA (62 mA)	35 mA (48 mA)
	24V AC/DC - 50/60 Hz	57 mA	20 mA	20 mA	73 mA (95 mA)	58 mA (73 mA)
	120V AC - 50/60 Hz	40 mA	40 mA	20 mA	60 mA (52 mA)	40 mA (51 mA)
	230/240V AC - 50/60 Hz	42 mA	42 mA	20 mA	63 mA (52 mA)	42 mA (51 mA)
Turn-on leakage current	≥3 mA		≥3 mA	≥3 mA	≥3 mA	≥3 mA
Maximum sound level (average)	105 dBA @ 1 m		100 dBA @ 1 m	SE: 72 dBA @ 1 m SH: 80 dBA @ 1 m	103 dBA @ 1 m	98 dBA @ 1 m
Minimum sound level	<85 dB		<85 dB	—	<85 dB	<85 dB
Sound level adjustment	Stepless		Stepless	—	Stepless	Stepless
Sound main frequency	3300 Hz		3300 Hz	3500 Hz	3300 Hz	3300 Hz
Sound types	Continuous	Yes	Yes	Yes	Yes	Yes
	Pulsing*	Yes	Yes	Yes	Yes	Yes
	Alternating frequency*	Yes	No	No	Yes	No
Sound selection	Externally by terminal connection					
Weight	65 g		35 g	25 g	85 g	55 g

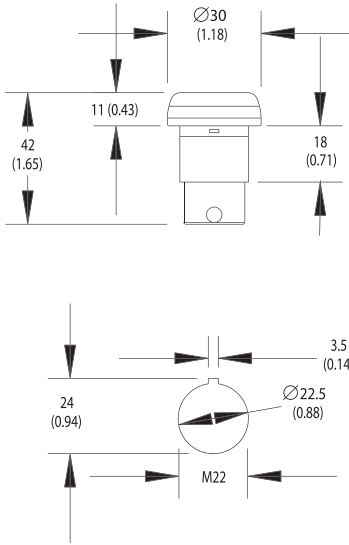
* Single Circuit only.

Panel Strobe and Single/Two Color LED Lights

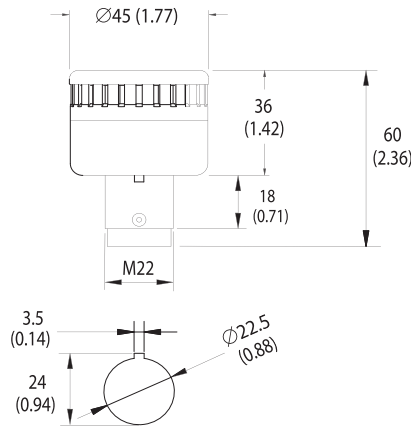
Technical							
Housing:	Base Material	Polycarbonate, black					
	Lens	Polycarbonate, red, amber, yellow, green, blue, and clear					
Protection class	UL Type 4/4X/13, IP2X, IP65						
Terminals	Plug-in terminal block, up to 2.5 mm ² (14 AWG), IP2X finger safe						
Operation temperature range	-25...+60 °C						
Storage temperature range	-25...+85 °C						
Mounting	Central mounting for bore holes 22 mm or 30.5 mm with Hole Adapter Kit						
Mounting nut torque	1.7 N•m (15 lb•in)						
Electrical							
		LED Beacon — Steady/Flashing			Strobe Light		
		65 mm	45 mm	30 mm	65 mm	45 mm	30 mm
Supply voltage range	12V AC/DC - 50/60 Hz	+/-10%	+/-10%	+/-10%	—	—	+/-10%
	24V AC/DC - 50/60 Hz	+/-10%	+/-10%	+/-10%	—	—	+/-10%
	12...24V AC/DC 50/60 Hz	—	—	—	8...26V AC/DC	8...26V AC/DC	—
	120V AC - 50/60 Hz	+/-10%	+/-10%	+/-10%	+/-10%	+/-10%	+/-10%
	230/240V AC - 50/60 Hz	+/-10%	+/-10%	+/-10%	+/-10%	+/-10%	+/-10%
Nominal current — single color (two color w/ full or half illumination)	12V AC/DC - 50/60 Hz	75 mA	60 mA	30 mA	—	—	15 mA
	24V AC/DC - 50/60 Hz	54 mA (full: 71 mA half: 44 mA)	35 mA (full: 46 mA half: 39 mA)	25 mA (full: 28 mA half: 30 mA)	—	—	10 mA
	12...24V AC/DC 50/60 Hz @ 12V	—	—	—	150 mA	110 mA	—
	12...24V AC/DC 50/60 Hz @ 24V	—	—	—	140 mA	100 mA	—
	120V AC - 50/60 Hz	25 mA (full: 61 mA half: 41 mA)	25 mA (full: 35 mA half: 35 mA)	20 mA	30 mA	20 mA	10 mA
	230/240V AC - 50/60 Hz	25 mA (full: 61 mA half: 41 mA)	25 mA (full: 35 mA half: 34 mA)	20 mA	20 mA	12 mA	10 mA
Turn-on leakage current	≥3 mA		≥3 mA	≥3 mA	≥3 mA	≥3 mA	
Steady/Flashing light	Externally by terminal connection						
Flashing frequency	2 Hz		2 Hz	2 Hz	min. 1.4 Hz	min. 1.4 Hz	
Light source	LED			Xenon tube			
Flash energy	—		—	—	1 J	0.5 J	
Weight	60 g		40 g	40 g	80 g	60 g	

Dimensions in millimeters (inches). Dimensions are not intended to be used for manufacturing purposes.

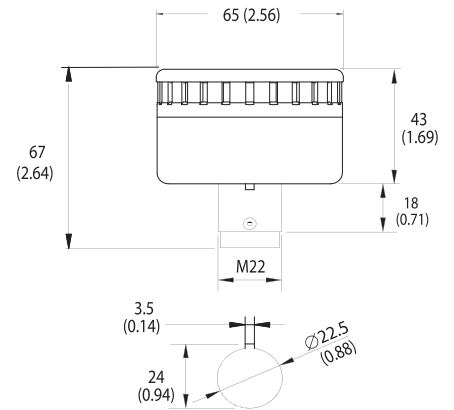
30 mm Sounder*



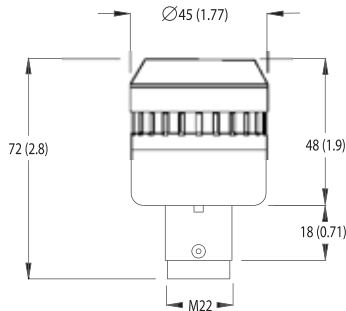
45 mm Sounder*



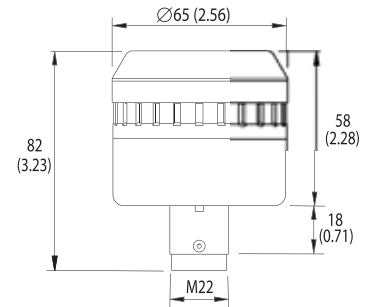
65 mm Sounder*



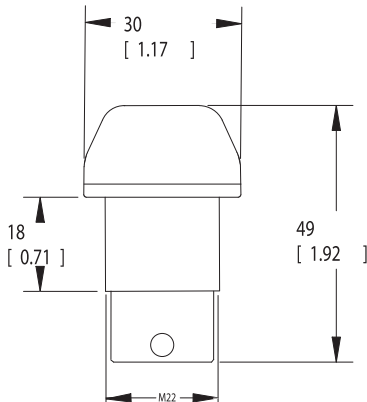
45 mm Combined Sounder with LED Beacon*



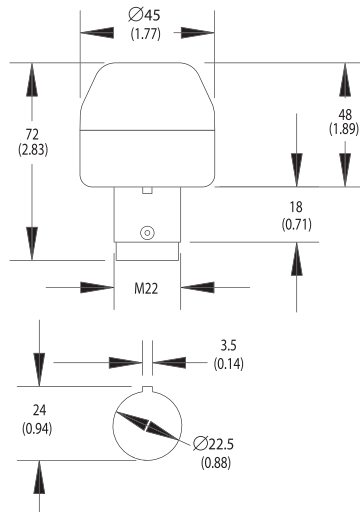
65 mm Combined Sounder with LED Beacon*



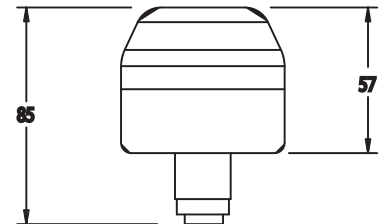
30 mm LED*
30 mm Strobe*



45 mm LED*
45 mm Strobe*







65 mm LED*
65 mm Strobe*



* Terminal connector adds 14 mm to back of panel depth.
 * Terminal connector adds 9 mm to back of panel depth.


Industrial Horns and Beacons

Product Overview

					
Bulletin	855H	855B	855BS	855BM	855BL
Type	General Purpose Horns and High Performance Horns (with or without Beacons)	Square Beacons	Round Beacons		
			90 mm	120 mm	160 mm
Voltages Available	General Purpose Horn: 24V AC/DC 50/60 Hz, 120V AC 50/60 Hz, 240V AC 50/60 Hz High Performance Horn: 10...30V DC, 24V AC 50/60 Hz, 110V AC 50/60 Hz, 230V AC 50/60 Hz High Performance Horn w/Beacon: 12V DC, 24V DC, 24V AC 50/60 Hz, 110V AC 50/60 Hz, 230V AC 50/60 Hz	12V AC/DC, 24V AC/DC, 110V AC 50/60 Hz, 230V AC 50/60 Hz	12V AC/DC, 24V AC/DC, 120V AC 50/60 Hz, 240V AC 50/60 Hz		
Illumination Type	5 J Strobe	5 J Strobe	75 W or 200 W Halogen	15 J or 35 W Halogen	31 J or 50 W Halogen
Flash Rate	—	1 Hz	1Hz Strobe		
Lens Colors Available	Red, Green, Amber, Blue, Yellow, Clear	Red, Green, Amber, Blue, Yellow, Clear	Red, Green, Amber, Blue, Yellow, Clear		
Environmental Rating	Horn: Type 13 & 3R, IP56 Horn w/Beacon: Type 13, IP56	Type 13, IP66	UL Type 4/4X/13, IP65		
Operating Temp. Range	-25...+55 °C	-25...+55 °C	-25...+60 °C except Rotating and Steady Halogen is -25...+50 °C	-25...+60 °C, except Rotating is -25...+50 °C	-25...+60 °C except Rotating and Steady Halogen is -25...+50 °C
Steady-State Current	—	12V AC/DC (400/500 mA), 24V AC/DC (365/250 mA), 110V AC (100 mA), 230V AC (50 mA)	0.1...1.7 A	0.15...3.2 A	0.21...4.2 A
Sound Output	100...126 dB	—	—	—	—
Horn Tones	General Purpose Horn: 3 Tones High Performance Horn: Range A: 10 Tones Range B & C: 32 Tones Range D & E: 45 Tones	—	—	—	—
Volume Adjustable	Range A, B, C: 16 dB from max. Range D, E: 6 dB from max.	—	Strobe, Rotating, Steady or Flashing Halogen		
Circuits Available	General Purpose Horn: 1 on all units High Performance Horn: Range A: 2 on DC units, 1 on AC units Range B, C, D, E: 3 on all units	—	—	—	—
Horn Cover, Base, Beacon Housing, and Lens Material	Polycarbonate	Polycarbonate	Polycarbonate		
Certifications	cULus Listed, CE	cULus Listed, CE	cULus Listed, CE		
Product Selection	Page 11-11	Page 11-18	Page 11-20		

General Purpose Electronic Horns

Product Selection/Accessories

	<p>Bulletin 855H — General Purpose Electronic Horns</p> <p>Improved performance over electromechanical alternative</p> <ul style="list-style-type: none"> • 108dB(A) maximum • Three user-selectable tones to better contrast ambient noise • Stepless volume control via potentiometer to adjust to changing ambient noise • Lower current consumption at approximately half to one tenth of electromechanical alternative • Longer life and maintenance-free due to non-moving parts and highly reliable discrete components • No back EMF at switch off <p>Suitable for humid, dirty, and corrosive environments</p> <ul style="list-style-type: none"> • Surface mount version rated UL Type 4/4X/13, IP66 • Semi-flush mount version rated UL Type 3R/13, IP54 • UV-stable polycarbonate housing, ideal for outdoors 	<p>Table of Contents</p> <p>Product Selection this page</p> <p>Accessories..... this page</p> <p>Specifications..... 11-16</p> <p>Approximate Dimensions..... 11-17</p> <p>Standards Compliance</p> <p>UL 464 CSA C22.2 No. 205 EN/IEC 60947-1 EN/IEC 60947-5-1 EN 6100-6-2 EN 6100-6-3</p> <p>Certifications</p> <p>cULus Listed (File No. S6583, Guides UCST, UCST7) CE Marked</p>
---	---	--

General Purpose Electronic Horns

Single-circuit, selectable tone horns, with volume control, for use in general signaling applications.

855H – $\frac{\text{SG}}{a}$ $\frac{10}{b}$ $\frac{\text{GPA}}{c}$

a

Mounting Type	
Code	Description
FG	Semi-flush wall plate, grey housing
SG	Surface base with two conduit entrances, grey housing

b

Voltage	
Code	Description
24	24V AC/DC
10	120V AC
20	240V AC

c

Horn Type	
Code	Description
GPA	General Purpose, 108 dB(A) max., Single stage/circuit, Three tones

Mounting Type	Supply Voltage	Cat. No.
Surface base with conduit entrance	24V AC/DC	855H-SG24GPA
Surface base with conduit entrance	120V AC	855H-SG10GPA
Surface base with conduit entrance	240V AC	855H-SG20GPA
Semi-flush wall plate	24V AC/DC	855H-FG24GPA
Semi-flush wall plate	120V AC	855H-FG10GPA
Semi-flush wall plate	240V AC	855H-FG20GPA

Accessories

Description	Cat. No.
 <p>M20 Hole Plug Replacement Kit</p>	855H-AHPK

General Purpose Electronic Horns

Specifications/Approximate Dimensions

Specifications

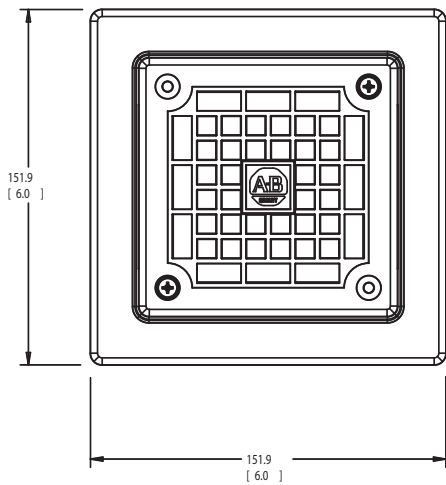
General Purpose Electronic Horns

Environmental Ratings				
Ingress Ratings	Semi-flush Mount	UL Type 3R/13, IP54		
	Surface Mount	UL Type 4/4X/13, IP66		
Temperature Ranges	Operating		Storage	
	-25...+55 °C (-13 ...+131 °F)		-40...+70 °C (-40 ...+158 °F)	
Materials				
Housings including horn cover and base	Polycarbonate			
O-ring	NBR			
Gasket (FG)	EPDM/SBR closed cell foam			
Performance Ratings				
Sound Output	108 dB max. @ 1 meter			
Operating Voltages and Currents				
	DC Voltage	AC Voltage		
Input Voltage Ranges	24V DC (+/-25%)	24V AC 50/60 Hz (+/-10%)	120V AC 50/60 Hz (+/-10%)	240V AC 50/60 Hz (+/-10%)
Output Currents @ Nominal Voltage	62 mA	220 mA	40 mA	50 mA

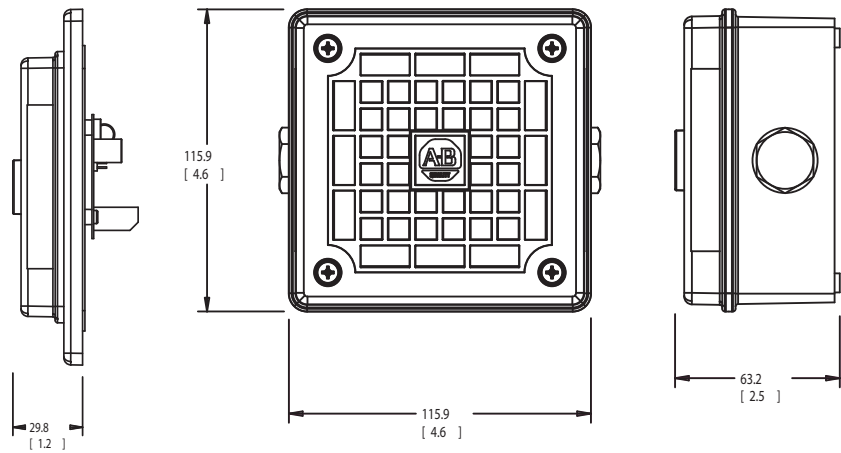
Approximate Dimensions

Dimensions in millimeters (inches). Dimensions are not intended to be used for manufacturing purposes.

Semi-flush Mount



Surface Mount





Bulletin 855H — High-Performance Electronic Horns

- Available as stand-alone electronic horn or with optional xenon strobe beacon
- Decibel range 100...126 dB(A) @ 1 meter, in five sizes to meet broad range of applications
- Up to three stages/circuits in each horn to reduce initial and installation costs when multi-status indication is required
- Up to 45 tone sets selectable via dip-switches
- Automatic tone synchronization when multiple horns are connected
- Lower current consumption compared to electromechanical alternative
- Fine volume control via potentiometer to compensate for changing ambient noise
- Longer life and maintenance-free, due to non-moving parts and highly reliable discrete components
- UV-stable plastic housing, ideal for outdoors
- UL Type 13/3R, IP56

Table of Contents

Industrial Horns this page
 Horns with Beacons . 11-14
 Accessories..... 11-15
 Specifications..... 11-16
 Approx. Dimensions . 11-17
Standards Compliance
 UL 464
 CSA C22.2 No. 205
 EN/IEC 60947-1
 EN/IEC 60947-5-1
 EN 6100-6-2
 EN 6100-6-4
Certifications
 cULus Listed (File No. S6583,
 Guides UCST, UCST7)
 CE Marked

High-Performance Electronic Horns

855H –
 a b c d



Range "A" Industrial Horn



Range "C" Industrial Horn



Range "E" Industrial Horn

a

Product Type	
Code	Description
B	Industrial Horn, Grey Housing

b

Voltage	
Code	Description
D30	10...30V DC
A24	24V AC 50/60 Hz
A10	115V AC 50/60 Hz
A20	230V AC 50/60 Hz

c

Horn Type	
Code	Description
A	100 dB, 10 Tone, 2-Stage (DC)
	100 dB, 10 Tone, 1-Stage (AC)
B	104 dB, 32 Tone, 3-Stage (DC)
	104 dB, 32 Tone, 3-Stage (AC)
C	112 dB, 32 Tone, 3-Stage (DC)
	112 dB, 32 Tone, 3-Stage (AC)
D	119 dB, 45 Tone, 3-Stage (DC)
	119 dB, 45 Tone, 3-Stage (AC)
E	126 dB, 45 Tone, 3-Stage (DC)
	126 dB, 45 Tone, 3-Stage (AC)

d

Mount Option	
Code	Description
D	Standard base for surface or on-the-wall mounting with conduit openings and hole plugs

Sound Output	Supply Voltage	Cat. No.
100 dB max. at 1 m, 2 circuit DC, 1 circuit AC, 10 selectable tones	10...30V DC	855H-BD30AD
	115V AC, 50/60 Hz	855H-BA10AD
104 dB max. at 1 m, 3 circuit AC or DC, 32 selectable tones	10...30V DC	855H-BD30BD
	115V AC, 50/60 Hz	855H-BA10BD
112 dB max. at 1 m, 3 circuit AC or DC, 32 selectable tones	10...30V DC	855H-BD30CD
	115V AC, 50/60 Hz	855H-BA10CD
119 dB max. at 1 m, 3 circuit AC or DC, 45 selectable tones	10...30V DC	855H-BD30DD
	115V AC, 50/60 Hz	855H-BA10DD
126 dB max. at 1 m, 3 circuit AC or DC, 45 selectable tones	10...30V DC	855H-BD30ED
	115V AC, 50/60 Hz	855H-BA10ED

High-Performance Horns

Product Selection, Continued

High-Performance Electronic Horns with Attached Strobe Beacons

855H – BC D12 E D R 3
 a *b* *c* *d* *e* *f*



Range "A" Horn with Beacon

a

Product Type	
Code	Description
BC	Electronic Horn with Xenon Strobe Beacon, Grey Housing

b

Voltage	
Code	Description
D12	12V DC
D24	24V DC
A24	24V AC 50/60 Hz
A10	115V AC 50/60 Hz
A20	230V AC 50/60 Hz



Range "C" Horn with Beacon

c

Horn Type	
Code	Description
A	100 dB, 10 Tone, 2-Stage (DC)
	100 dB, 10 Tone, 1-Stage (AC)
B	104 dB, 32 Tone, 3-Stage (DC)
	104 dB, 32 Tone, 3-Stage (AC)
C	112 dB, 32 Tone, 3-Stage (DC)
	112 dB, 32 Tone, 3-Stage (AC)
D	119 dB, 45 Tone, 3-Stage (DC)
	119 dB, 45 Tone, 3-Stage (AC)
E	126 dB, 45 Tone, 3-Stage (DC)
	126 dB, 45 Tone, 3-Stage (AC)

d

Mount Option	
Code	Description
D	Standard base for surface or on-the-wall mounting with conduit openings and hole plugs



Range "E" Horn with Beacon

e

Illuminated Function	
Code	Description
R	5J Strobe

f

Lens Color	
Code	Description
3	Green
4	Red
5	Amber
6	Blue
7	Clear
8	Yellow

Sound Output	Voltage	Beacon Lens Color	Cat. No.
100 dB max. at 1 m, 2 circuit DC, 1 circuit AC, 10 selectable tones	24V DC	Green	855H-BCD24ADR3
		Red	855H-BCD24ADR4
		Amber	855H-BCD24ADR5
	115V AC, 50/60 Hz	Green	855H-BCA10ADR3
		Red	855H-BCA10ADR4
		Amber	855H-BCA10ADR5
104 dB max. at 1 m, 3 circuit AC or DC, 32 selectable tones	24V DC	Green	855H-BCD24BDR3
		Red	855H-BCD24BDR4
		Amber	855H-BCD24BDR5
	115V AC, 50/60 Hz	Green	855H-BCA10BDR3
		Red	855H-BCA10BDR4
		Amber	855H-BCA10BDR5
112 dB max. at 1 m, 3 circuit AC or DC, 32 selectable tones	24V DC	Green	855H-BCD24CDR3
		Red	855H-BCD24CDR4
		Amber	855H-BCD24CDR5
	115V AC, 50/60 Hz	Green	855H-BCA10CDR3
		Red	855H-BCA10CDR4
		Amber	855H-BCA10CDR5
119 dB max. at 1 m, 3 circuit AC or DC, 45 selectable tones	24V DC	Green	855H-BCD24DDR3
		Red	855H-BCD24DDR4
		Amber	855H-BCD24DDR5
	115V AC, 50/60 Hz	Green	855H-BCA10DDR3
		Red	855H-BCA10DDR4
		Amber	855H-BCA10DDR5
126 dB max. at 1 m, 3 circuit AC or DC, 45 selectable tones	24V DC	Green	855H-BCD24EDR3
		Red	855H-BCD24EDR4
		Amber	855H-BCD24EDR5
	115V AC, 50/60 Hz	Green	855H-BCA10EDR3
		Red	855H-BCA10EDR4
		Amber	855H-BCA10EDR5



		Description	Cat. No.
		M20 Hole Plug Replacement Kit	855H-AHPK
		Gasket Set Replacement Kit	
		Description	Type
			Range A, B, and Beacon Light
			Range C Horn
			Range D Horn
			Range E Horn
		Replacement Beacon Light Lens	
		Description	Color
			Red
			Green
			Amber
			Blue
			Clear
			Yellow

High-Performance Horns

Specifications

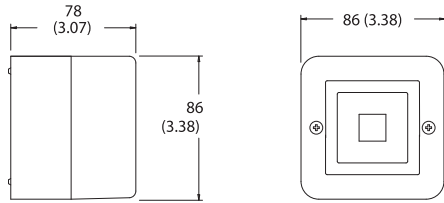
Industrial Electronic Horns and Horns with Strobe Beacons

Mechanical Ratings						
Shock and Vibration		Listed below are reference guidelines for maximum shock and vibration standards for the 855H.				
		Shock		Vibration		
Range A Horn		15 G Peak		3 G Peak		
Range B Horn		15 G Peak		3 G Peak		
Range C Horn		15 G Peak		3 G Peak		
Range D Horn		15 G Peak		3 G Peak		
Range E Horn		15 G Peak		1 G Peak		
Range A Horn with Strobe Beacon		15 G Peak		3 G Peak		
Range B Horn with Strobe Beacon		15 G Peak		3 G Peak		
Range C Horn with Strobe Beacon		15 G Peak		3 G Peak		
Range D Horn with Strobe Beacon		15 G Peak		3 G Peak		
Range E Horn with Strobe Beacon		15 G Peak		1 G Peak		
Environmental Ratings						
Ingress Ratings	Electronic Horns	UL Type 13/3R, IP56				
	Horn with Beacon	UL Type 13/3R, IP56				
		Operating		Storage		
Temperature Ranges	Electronic Horns	-13...+131 °F (-25...+55 °C)		-40...+167 °F (-40...+75 °C)		
	Horns with Beacons	-13...+131 °F (-25...+55 °C)		-40...+167 °F (-40...+75 °C)		
Materials						
Horn Cover and Base		ABS				
Beacon Housing		Polycarbonate				
Beacon Lens		Polycarbonate				
Gasket (Cover to Base)		Nitrile 70				
Gasket (Enclosure back to wall)		Nitrile 70				
Gasket (Horn to Beacon)		Nitrile 70				
Gasket (Screw Mounting Hole)		Fiber				
Performance Ratings						
		Sound Output				
Range A Horn		100 dB max. @ 1 meter				
Range B Horn		104 dB max. @ 1 meter				
Range C Horn		112 dB max @ 1 meter				
Range D Horn		119 dB max @ 1 meter				
Range E Horn		126 dB max @ 1 meter				
		Xenon Lamp Rating				
Strobe Beacon		5 Joule Output				
Operating Voltage						
		DC Voltage		AC Voltage		
All Horns		10...30V DC		24V AC 50/60 Hz (+/-10%)	115V AC 50/60 Hz (+/-10%)	230V AC 50/60 Hz (+/-10%)
All Horns with Strobe Beacon		12V DC (+/-10%)	24V DC (+/-10%)	24V AC 50/60 Hz (+/-10%)	115V AC 50/60 Hz (+/-10%)	230V AC 50/60 Hz (+/-10%)
Current Consumption						
Horns	Range A	Range B	Range C	RangeD	Range E	
10...30V DC	25 mA	25 mA	25 mA	200 mA	950 mA	
24V AC 50/60 Hz	40 mA	40 mA	40 mA	500 mA	1000mA	
115V AC 50/60 Hz	13 mA	20 mA	20 mA	100 mA	240 mA	
240V AC 50/60 Hz	13 mA	15 mA	15 mA	60 mA	120 mA	
Horns with Strobe Beacon						
12V DC	525 mA	525 mA	525 mA	700 mA	1450 mA	
24V DC	275 mA	275 mA	275 mA	450 mA	1200 mA	
24V DC	405 mA	405 mA	405 mA	865 mA	1200 mA	
115V AC	113 mA	120 mA	120 mA	200 mA	340 mA	
240V AC	63 mA	65 mA	65 mA	110 mA	170 mA	
Flashing Frequency						
Strobe Beacon		1 Hz				

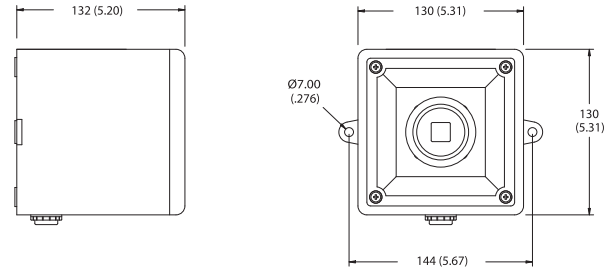
Dimensions in millimeters (inches). Dimensions are not intended to be used for manufacturing purposes.

Horns

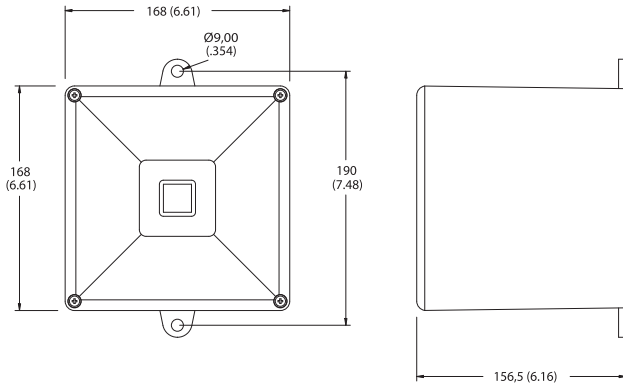
Range A&B



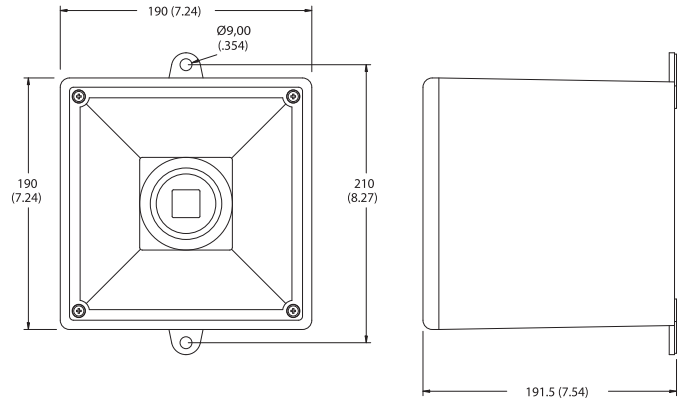
Range C



Range D

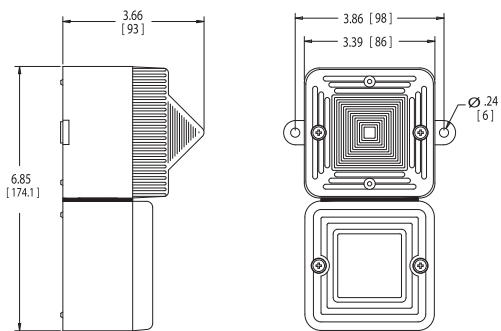


Range E

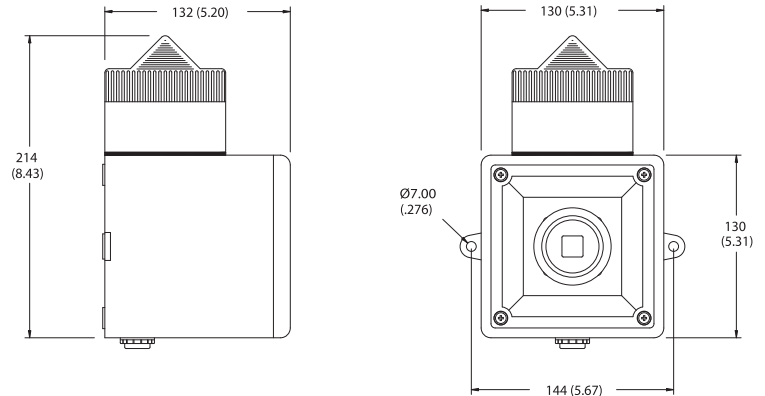


Horns with Beacons

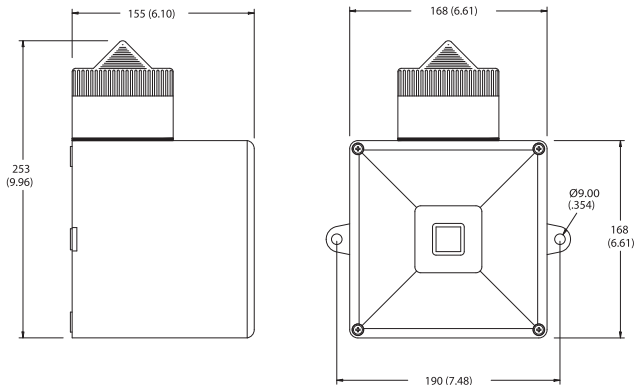
Range A&B



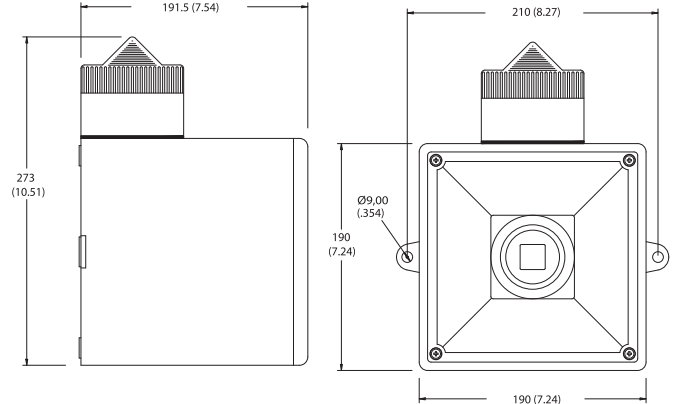
Range C



Range D



Range E



Mini Square Beacons

Product Selection



Bulletin 855B — Mini Square Beacons

- High-intensity, 5 joule xenon strobe beacon
- UL Type 13/3R, IP66

Standards Compliance

UL 464
 UL 1638
 CSA C22.2 No. 205
 EN/IEC 60947-1
 EN/IEC 60947-5-1
 EN 6100-6-2
 EN 6100-6-4
 CAN/ULC-S526-M87

Certifications

cULus Listed
 (File No. E197159, Guides
 UEES, UEES7)
 CE Marked

Table of Contents

Product Selection..... this page
 Specifications..... 11-19
 Approximate
 Dimensions..... 11-19

Mini square 5 Joule strobe beacons for general signaling applications. Bases accept conduit connections in side and back of enclosure.

855B - **G** **MS** **12** **R** **3**
a *b* *c* *d* *e*

a

Housing/Color	
Code	Description
G	Grey

b

Beacon Type	
Code	Description
MS	Mini-Square Beacon

c

Voltage	
Code	Description
12	12V AC/DC
24	24V AC/DC
10	115V AC 50/60 Hz
20	230V AC 50/60 Hz

d

Illumination Type	
Code	Description
R	5J Strobe

e


Lens Color	
Code	Description
3	Green
4	Red
5	Amber
6	Blue
7	Clear
8	Yellow

Supply Voltage	Lens Color	Cat. No.
24V AC/DC	Green	855B-GMS24R3
115V AC, 50/60 Hz		855B-GMS10R3
24V AC/DC	Red	855B-GMS24R4
115V AC, 50/60 Hz		855B-GMS10R4
24V AC/DC	Amber	855B-GMS24R5
115V AC, 50/60 Hz		855B-GMS10R5
24V AC/DC	Blue	855B-GMS24R6
115V AC, 50/60 Hz		855B-GMS10R6
24V AC/DC	Clear	855B-GMS24R7
115V AC, 50/60 Hz		855B-GMS10R7
24V AC/DC	Yellow	855B-GMS24R8
115V AC, 50/60 Hz		855B-GMS10R8

Mini Square Beacons

Accessories/Specifications/Approximate Dimensions

Accessories

	Description	Color	Cat. No.
	Replacement Beacon Light Lens	Red	855B-ABLR
		Green	855B-ABLG
		Amber	855B-ABLA
		Blue	855B-ABLB
		Clear	855B-ABLC
		Yellow	855B-ABLY

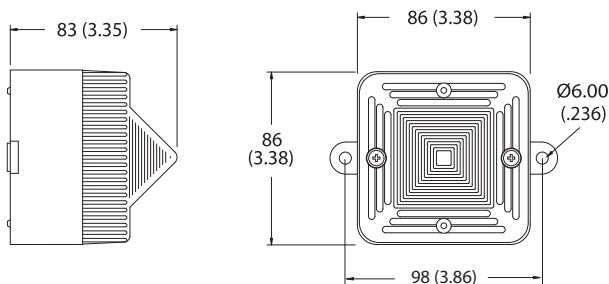
Specifications

Mechanical Ratings				
Shock and Vibration	Listed below are reference guidelines for maximum shock and vibration standards for the 855B Beacon Lights.			
	Shock		Vibration	
All Strobe Beacons	50 G Peak		5 G Peak	
Environmental Ratings				
Ingress Ratings	UL Type 13/3R, IP66			
Operating Temperature Ratings — All Strobe Beacons	-12...+131 °F (-25...+55 °C)			
Materials				
Housing and Lens	Polycarbonate			
Gaskets	Nitrile 70			
Performance Ratings				
	Xenon Lamp Rating			
All Strobe Beacons	5 Joule			
Operating Voltage				
All Strobe Beacons	12V AC/DC (+/-10%)	24V AC/DC 230V (+/-20%)	120V AC 50/60 Hz (+/-10%)	230V AC 50/60 Hz. (+/- 10%)
Current Consumption				
All Strobe Beacons	12V AC/DC 400 mA/500 mA	24V AC/DC 365 mA/250 mA	120V AC 100 mA	230V AC 50 mA
Flashing Frequency				
All Strobe Beacons	1 Hz			

Approximate Dimensions

Dimensions in millimeters (inches). Dimensions are not intended to be used for manufacturing purposes.

Mini Square Beacon



Round Beacons

Product Selection



Bulletin 855BS, 855BM, 855BL — Industrial Round Beacons

- Six colors available
- LED illumination functions:
 - Single-color LED with user-selectable steady burning or flashing function
 - Three-color LED (red, green, amber)
 - LED Strobe with user-selectable single or double flash
 - Halogen functions: steady, flashing, or rotating
 - Xenon function: strobe
- Surface, NPT conduit, or tube mounting options
- UL Type 4/4X/13, IP65 **except for LED beacons which are NEMA 4/4X/13, IP65**

Table of Contents

90 mm Beacons this page
 120 mm Beacons 11-22
 160 mm Beacons 11-23
 Accessories..... 11-24
 Specifications..... 11-26
 Approx. Dimensions . 11-28

Standards Compliance

UL 508
 EN/IEC 60947-1
 EN/IEC 60947-5-1
 CSA 22.2 No. 14

Certifications

cULus Listed (File No. E14840,
 Guides NKCR, NKCR7)
 CE Marked

Bulletin 855BS — 90 mm Beacons

855BS – $\frac{S}{a}$ $\frac{10}{b}$ $\frac{RH}{c}$ $\frac{3}{d}$

a

Base Type	
Code	Description
S	Surface Mount*
N	1/2 in. NPT Conduit Mount
T	25 mm Tube Mount§

b

Voltage	
Code	Description
12	12V AC/DC
24	24V AC/DC
10	120V AC
20	240V AC
35	24/48V AC/DC
45	120/240V AC/DC

c

Function	
Code	Description
DH	Steady Halogen
FH	Flashing Halogen
RH	Rotating Halogen
BR	Xenon Tube Strobe‡
SL	LED Single Color Selectable Steady/Flash➤
ML	LED Three Color⌘❖
BL	LED Strobe Selectable Single/Double Flash+

d

LED/Lens Color	
Code	Description
345	Green, Red, Amber❖
3	Green
4	Red
5	Amber
6	Blue
7	Clear
8	Yellow

* Surface mount base must be installed with rough wall plate for UL Type 4/4X/13 rating, otherwise UL Type 1 only.

‡ Not available in 12V AC/DC.

§ 25 mm tube mount is UL Recognized, other mounting types are UL Listed.

➤ SL function uses 35 (16...60V AC/16...80V DC) and 45 (90...250V AC/DC) voltage codes only.

⌘ ML function uses 24, 10, and 20 voltage codes only.

+ BL function uses 35 (19...52V AC/16...60V DC), 10, and 20 voltage codes only.

❖ Green, Red, Amber color combination is only valid for the three color LED selection (ML).

90 mm Beacons

Base Type	Voltage	Function	Color	Cat. No.
Surface Mount*	24V AC/DC	Steady Halogen	Red	855BS-S24DH4
			Amber	855BS-S24DH5
		Rotating Halogen	Red	855BS-S24RH4
			Amber	855BS-S24RH5
		Xenon Strobe	Red	855BS-S24BR4
			Amber	855BS-S24BR5
	120V AC	Steady Halogen	Red	855BS-S10DH4
			Amber	855BS-S10DH5
		Rotating Halogen	Red	855BS-S10RH4
			Amber	855BS-S10RH5
		Xenon Strobe	Red	855BS-S10BR4
			Amber	855BS-S10BR5
1/2 in. NPT Conduit Mount	24V AC/DC	Steady Halogen	Red	855BS-N24DH4
			Amber	855BS-N24DH5
		Rotating Halogen	Red	855BS-N24RH4
			Amber	855BS-N24RH5
		Xenon Strobe	Red	855BS-N24BR4
			Amber	855BS-N24BR5
	120V AC	Steady Halogen	Red	855BS-N10DH4
			Amber	855BS-N10DH5
		Rotating Halogen	Red	855BS-N10RH4
			Amber	855BS-N10RH5
		Xenon Strobe	Red	855BS-N10BR4
			Amber	855BS-N10BR5

90 mm LED Beacons

Base Type	Voltage	Function	Color	Cat. No.
Surface Mount*	24/48V AC/DC	Single-Color LED	Red	855BS-S35SL4
			Amber	855BS-S35SL5
			Blue	855BS-S35SL6
			Red	855BS-S45SL4
			Amber	855BS-S45SL5
			Blue	855BS-S45SL6
	120/240V AC/DC	Three-Color LED	Green, Red, Amber	855BS-S24ML345
			Green, Red, Amber	855BS-S10ML345
	24V AC/DC	Single/Double Strobe LED	Red	855BS-S35BL4
			Amber	855BS-S35BL5
	Blue		855BS-S35BL6	
	120V AC		Red	855BS-S10BL4
Amber			855BS-S10BL5	
Blue	855BS-S10BL6			
1/2 in. NPT Conduit Mount	24/48V AC/DC	Single-Color LED	Red	855BS-N35SL4
			Amber	855BS-N35SL5
			Blue	855BS-N35SL6
			Red	855BS-N45SL4
			Amber	855BS-N45SL5
			Blue	855BS-N45SL6
	120/240V AC/DC	Three-Color LED	Green, Red, Amber	855BS-N24ML345
			Green, Red, Amber	855BS-N10ML345
	24V AC/DC	Single/Double Strobe LED	Red	855BS-N35BL4
			Amber	855BS-N35BL5
	Blue		855BS-N35BL6	
	120V AC		Red	855BS-N10BL4
Amber			855BS-N10BL5	
Blue	855BS-N10BL6			

* Surface mount base must be installed with rough wall plate for NEMA Type 4/4X/13 rating, otherwise NEMA Type 1 only.

Round Beacons

Product Selection, Continued

Bulletin 855BM — 120 mm Beacons

855BM – $\frac{S}{a}$ $\frac{10}{b}$ $\frac{FH}{c}$ $\frac{4}{d}$

a

Base Type	
Code	Description
S	Surface Mount*
N	1/2 in. NPT Conduit Mount
T	25 mm Tube Mount

b

Voltage	
Code	Description
12	12V AC/DC
24	24V AC/DC
10	120V AC
20	240V AC

c

Function	
Code	Description
DH	Steady Halogen
FH	Flashing Halogen
RH	Rotating Halogen
BR	Xenon Strobe‡

d

Lens Color	
Code	Description
3	Green
4	Red
5	Amber
6	Blue
7	Clear
8	Yellow

* Surface Mount Base must be installed with Rough Wall Plate for UL Type 4/4X/13 rating, otherwise UL Type 1 only.

‡ Not available in 12V AC/DC.

Base Type	Voltage	Function	Color	Cat. No.		
Surface Mount*	24V AC/DC	Steady Halogen	Red	855BM-S24DH4		
			Amber	855BM-S24DH5		
			Blue	855BM-S24DH6		
		Rotating Halogen	Red	855BM-S24RH4		
			Amber	855BM-S24RH5		
			Blue	855BM-S24RH6		
		Strobe	Red	855BM-S24BR4		
			Amber	855BM-S24BR5		
			Blue	855BM-S24BR6		
		120V AC	Steady Halogen	Red	855BM-S10DH4	
				Amber	855BM-S10DH5	
				Blue	855BM-S10DH6	
	Rotating Halogen		Red	855BM-S10RH4		
			Amber	855BM-S10RH5		
			Blue	855BM-S10RH6		
	Strobe		Red	855BM-S10BR4		
			Amber	855BM-S10BR5		
			Blue	855BM-S10BR6		
	1/2 in. NPT Conduit Mount		24V AC/DC	Steady Halogen	Red	855BM-N24DH4
					Amber	855BM-N24DH5
					Blue	855BM-N24DH6
		Rotating Halogen		Red	855BM-N24RH4	
				Amber	855BM-N24RH5	
				Blue	855BM-N24RH6	
Strobe		Red		855BM-N24BR4		
		Amber		855BM-N24BR5		
		Blue		855BM-N24BR6		
120V AC		Steady Halogen		Red	855BM-N10DH4	
				Amber	855BM-N10DH5	
				Blue	855BM-N10DH6	
		Rotating Halogen	Red	855BM-N10RH4		
			Amber	855BM-N10RH5		
			Blue	855BM-N10RH6		
		Strobe	Red	855BM-N10BR4		
			Amber	855BM-N10BR5		
			Blue	855BM-N10BR6		
					Clear	855BM-N10BR7

* Surface Mount Base must be installed with Rough Wall Plate for UL Type 4/4X/13 rating, otherwise UL Type 1 only.



Bulletin 855BL — 160 mm Beacons

855BL - N 24 DH 5
a *b* *c* *d*

Base Type	
Code	Description
S	Surface Mount*
N	1 in. NPT Conduit Mount
T	30 mm Tube Mount

Voltage	
Code	Description
12	12V AC/DC
24	24V AC/DC
10	120V AC
20	240V AC

Function	
Code	Description
DH	Steady Halogen
FH	Flashing Halogen
RH	Rotating Halogen
BR	Xenon Strobe‡

Lens Color	
Code	Description
3	Green
4	Red
5	Amber
6	Blue
7	Clear
8	Yellow

* Surface Mount Base must be installed with Rough Wall Plate for UL Type 4/4X/13 rating, otherwise UL Type 1 only.

‡ Not available in 12V AC/DC.

Base Type	Voltage	Function	Color	Cat. No.		
Surface Mount*	24V AC/DC	Steady Halogen	Red	855BL-S24DH4		
			Amber	855BL-S24DH5		
			Blue	855BL-S24DH6		
		Rotating Halogen	Red	855BL-S24RH4		
			Amber	855BL-S24RH5		
			Blue	855BL-S24RH6		
		Strobe	Red	855BL-S24BR4		
			Amber	855BL-S24BR5		
			Blue	855BL-S24BR6		
		120V AC	Steady Halogen	Red	855BL-S10DH4	
				Amber	855BL-S10DH5	
				Blue	855BL-S10DH6	
	Rotating Halogen		Red	855BL-S10RH4		
			Amber	855BL-S10RH5		
			Blue	855BL-S10RH6		
	Strobe		Red	855BL-S10BR4		
			Amber	855BL-S10BR5		
			Blue	855BL-S10BR6		
	1 in. NPT Conduit Mount		24V AC/DC	Steady Halogen	Red	855BL-N24DH4
					Amber	855BL-N24DH5
					Blue	855BL-N24DH6
		Rotating Halogen		Red	855BL-N24RH4	
				Amber	855BL-N24RH5	
				Blue	855BL-N24RH6	
Strobe		Red		855BL-N24BR4		
		Amber		855BL-N24BR5		
		Blue		855BL-N24BR6		
120V AC		Steady Halogen		Red	855BL-N10DH4	
				Amber	855BL-N10DH5	
				Blue	855BL-N10DH6	
		Rotating Halogen	Red	855BL-N10RH4		
			Amber	855BL-N10RH5		
			Blue	855BL-N10RH6		
		Strobe	Red	855BL-N10BR4		
			Amber	855BL-N10BR5		
			Blue	855BL-N10BR6		
					Clear	855BL-N10BR7

Round Beacons

Accessories

Lamps

855B M - LH 10
 a b c

a

Size	
Code	Description
S	90 mm
M	120 mm
L	160 mm

b

Function	
Code	Description
LH	Halogen

c

Voltage	
Code	Description
12	12V AC/DC
24	24V AC/DC
10	120V AC
20	240V AC

Lenses

855B L - AFL 4
 a b c

a

Size	
Code	Description
S	90 mm
M	120 mm
L	160 mm

b

Function	
Code	Description
ASL	Replacement Smooth Lens ‡
AFL	Replacement Fresnel Lens

‡ Smooth lens for rotating function only.

c

Lens Color	
Code	Description
3	Green
4	Red
5	Amber
6	Blue
7	Clear
8	Yellow

Power Module Assemblies

855B L - ARA 10
 a b c

a

Size	
Code	Description
S	90 mm
M	120 mm
L	160 mm

b

Function	
Code	Description
ARA	Replacement Rotating Power Module
ADA	Replacement Steady Power Module
AFA	Replacement Flashing Power Module
ABA	Replacement Strobe Power Module

c

Voltage	
Code	Description
12	12V AC/DC
24	24V AC/DC
10	120V AC
20	240V AC

Miscellaneous Accessories and Replacement Parts

855B M - LS
 a b

a












Size	
Code	Description
S	90 mm
M	120 mm
L	160 mm

b

Function	
Code	Description
ALSG	Lens Gaskets (bag of 5)
AMM	Magnetic Mount
ASFG	Surface Mount Gaskets (bag of 5)
AMTG	Metric Tube Gaskets (bag of 5)
AWP	Rough Wall Plate*
AVM	Vertical Bracket
LS	Strobe Tube (120 mm or 160 mm only)
ABS	Surface Mount Base*
ABN	NPT Conduit Mount Base
ABT	Tube Mount Base

* Required for UL Type 4/4X/13 rating when using surface mount base.

* Surface mount base must be installed with rough wall plate for UL Type 4/4X/13 rating, otherwise UL Type 1 only.

Description		90 mm	120 mm	160 mm		
Replacement Lamps		Cat. No.	Cat. No.	Cat. No.		
	Xenon Strobe Tube	—	855BM-LS	855BL-LS		
	Halogen for steady burning, flashing, and rotating illumination functions	12V AC/DC	855BS-LH12	855BM-LH12	855BL-LH12	
		24V AC/DC	855BS-LH24	855BM-LH24	855BL-LH24	
		120V AC	855BS-LH10	855BM-LH10	855BL-LH10	
		240V AC	855BS-LH20	855BM-LH20	855BL-LH20	
	Replacement Lenses		Lens Color	Cat. No.	Cat. No.	Cat. No.
	Smooth Lens for rotation beacon only	Green	855BS-ASL3	855BM-ASL3	855BL-ASL3	
		Red	855BS-ASL4	855BM-ASL4	855BL-ASL4	
		Amber	855BS-ASL5	855BM-ASL5	855BL-ASL5	
		Blue	855BS-ASL6	855BM-ASL6	855BL-ASL6	
		Clear	855BS-ASL7	855BM-ASL7	855BL-ASL7	
Yellow	855BS-ASL8	855BM-ASL8	855BL-ASL8			
	Fresnel Lens for steady, flashing, or strobe halogen lamp functions (not for use in LED beacons)	Green	855BS-AFL3	855BM-AFL3	855BL-AFL3	
		Red	855BS-AFL4	855BM-AFL4	855BL-AFL4	
		Amber	855BS-AFL5	855BM-AFL5	855BL-AFL5	
		Blue	855BS-AFL6	855BM-AFL6	855BL-AFL6	
		Clear	855BS-AFL7	855BM-AFL7	855BL-AFL7	
		Yellow	855BS-AFL8	855BM-AFL8	855BL-AFL8	
	Power Modules†		Voltage	Cat. No.	Cat. No.	Cat. No.
	Rotating Power Module	12V AC/DC	855BS-ARA12	855BM-ARA12	855BL-ARA12	
		24V AC/DC	855BS-ARA24	855BM-ARA24	855BL-ARA24	
		120V AC	855BS-ARA10	855BM-ARA10	855BL-ARA10	
240V AC		855BS-ARA20	855BM-ARA20	855BL-ARA20		
	Steady Power Module	12V AC/DC	855BS-ADA12	855BM-ADA12	855BL-ADA12	
		24V AC/DC	855BS-ADA24	855BM-ADA24	855BL-ADA24	
		120V AC	855BS-ADA10	855BM-ADA10	855BL-ADA10	
		240V AC	855BS-ADA20	855BM-ADA20	855BL-ADA20	
	Flashing Power Module	12V AC/DC	855BS-AFA12	855BM-AFA12	855BL-AFA12	
		24V AC/DC	855BS-AFA24	855BM-AFA24	855BL-AFA24	
		120V AC	855BS-AFA10	855BM-AFA10	855BL-AFA10	
		240V AC	855BS-AFA20	855BM-AFA20	855BL-AFA20	
	Strobe Power Module	24V AC/DC	855BS-ABA24	855BM-ABA24	855BL-ABA24	
		120V AC	855BS-ABA10	855BM-ABA10	855BL-ABA10	
		240V AC	855BS-ABA20	855BM-ABA20	855BL-ABA20	
	Replacement Bases		Cat. No.	Cat. No.	Cat. No.	
	Surface Mount Base*		855BS-ABS	855BM-ABS	855BL-ABS	
	NPT Conduit Mount Base		855BS-ABN	855BM-ABN	855BL-ABN	
	Tube Mount Base		855BS-ABT	855BM-ABT	855BL-ABT	
	Miscellaneous Accessories and Replacement Parts		Cat. No.	Cat. No.	Cat. No.	
	Lens Gaskets (bag of 5)		855BS-ALSG	855BM-ALSG	855BL-ALSG	
	Surface Mount Gaskets (bag of 5)		855BS-ASFG	855BM-ASFG	855BL-ASFG	
	Tube Mount Gaskets (bag of 5)		855BM-AMTG	855BM-AMTG	855BL-AMTG	
	Magnetic Mount		855BS-AMM	855BM-AMM	855BL-AMM	
	Rough Wall Plate*		855BS-AWP	855BM-AWP	855BL-AWP	
	Vertical Bracket		855BS-AVM	855BM-AVM	855BL-AVM	
	Screws and Washers for Rough Wall Plate and Magnetic Mount	855BS-ASCW	855BM-ASCW			
	Bonding Kit (Required for bonding between conduit connections)		855BM-ABK			

* Surface Mount Base must be installed with Rough Wall Plate for UL Type 4/4X/13 rating.

* Required for UL Type 4/4X/13 rating when using Surface Mount Base.

† All Power Modules include a lamp.

Round Beacons

Specifications

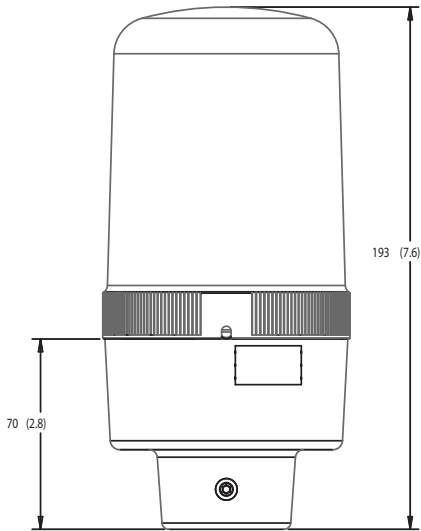
Technical	
Base material	Polycarbonate
Lenses (all)	Polycarbonate, red, amber, yellow, green, blue, and clear
Housing	Pole mount base
	90 mm: Polycarbonate 120 mm and 160 mm: Aluminum die cast, powder-coated
	Bracket
	Powder-coated steel
Protection class	Type 4/4X/13 (Surface Mount Base must be installed with Rough Wall Plate for Type 4/4X/13 rating), IP65
Operation temperature range	-25...+60°C; -25...+50°C all rotating versions, 160 mm Steady Halogen, and 120/240V AC Single Color LED
Storage temperature range	-25...+85 °C
Mounting	Horizontal surfaces: indoor — direct to the surface, outdoor — with additional metal plate between surface and base part Vertical surfaces: with bracket, for indoor and outdoor Tube or NPT conduit mounting: for indoor and outdoor

Electrical and Mechanical													
	Steady Halogen			Flashing Halogen			Strobe			Rotating Light			
	160 mm	120 mm	90 mm	160 mm	120 mm	90 mm	160 mm	120 mm	90 mm	160 mm	120 mm	90 mm	
Halogen bulb	50 W	35 W	20 W	50 W	35 W	20 W	—	—	—	50 W	35 W	20 W	
Bulb socket	GY6.35	GY6.35	GY6.35	GY6.35	GY6.35	GY6.35	—	—	—	GY6.35	GY6.35	GY6.35	
Strobe energy	—	—	—	—	—	—	31 J	15 J	7 J	—	—	—	
Xenon strobe tube	—	—	—	—	—	—	Helical	Helical	Helical	—	—	—	
Strobe tube socket	—	—	—	—	—	—	Terminals	Terminals	Terminals	—	—	—	
Flashing/Strobe frequency	—	—	—	1 Hz	1 Hz	1 Hz	1 Hz	1 Hz	1 Hz	—	—	—	
Rotating speed - selectable via jumper wire	—	—	—	—	—	—	—	—	—	90/180 rpm	90/180 rpm	90/180 rpm	
Nominal Current	12V AC/DC	4 A	2.9 A	1.6 A	4.2 A	3 A	1.6 A	—	—	—	4.2 A	3.2 A	1.8 A
	24V AC/DC	2.1 A	1.5 A	0.8 A	2.1 A	1.5 A	0.8 A	1.9 A	1.3 A	0.48 A	2.3 A	1.7 A	0.95 A
	110/120V AC 50/60 Hz	0.42 A	0.29 A	0.2 A	0.42 A	0.3 A	0.2 A	0.7 A	0.32 A	0.21 A	0.58 A	0.32 A	0.30 A
	230/240V AC 50 Hz	0.21 A	0.15 A	0.09 A	0.21 A	0.15 A	0.09 A	0.35 A	0.15 A	0.12 A	0.39 A	0.17 A	0.27 A
Weight (Surface Mount)	900 g	500 g	251 g	900 g	500 g	251 g	900 g	500 g	296 g	900 g	500 g	378 g	
Weight (Tube Mount)	900 g	500 g	424 g	900 g	500 g	424 g	900 g	500 g	469 g	900 g	500 g	551 g	

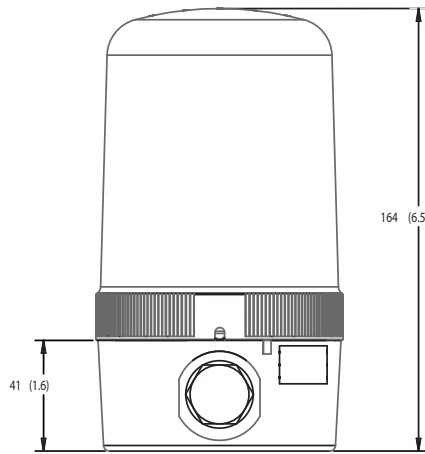
Electrical and Mechanical			
	Single-Color LED	Three-Color LED	Strobe LED
	90 mm		
24V AC/DC	—	155 mA	—
110/120V AC 50/60 Hz	—	100 mA	70 mA
230/240V AC 50 Hz	—	105 mA	70 mA
Nominal Current	24/48V AC/DC 50/60 Hz	230...270 mA (16...60V AC/ 16...80V DC)	300 mA (19...52V AC/ 16...60V DC)
	120/240V AC	38...43 mA (90...250V AC)	—
Weight (Surface Mount)	250 g		
Weight (Tube Mount)	450 g		

Dimensions in millimeters (inches). Dimensions are not intended to be used for manufacturing purposes.

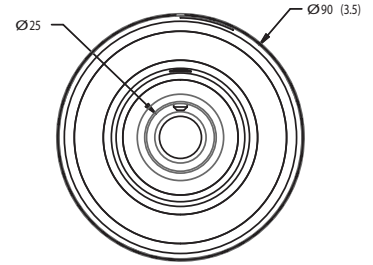
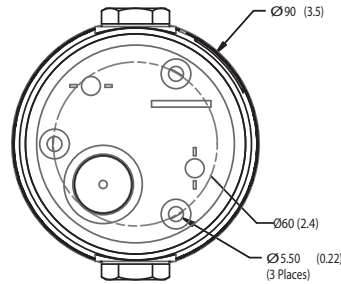
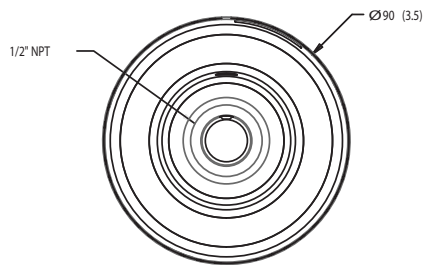
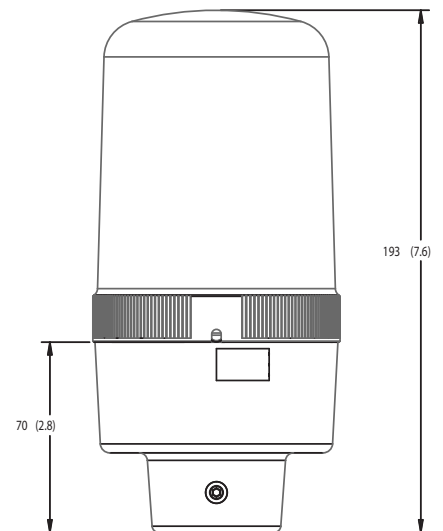
90 mm Beacon NPT Conduit Mount



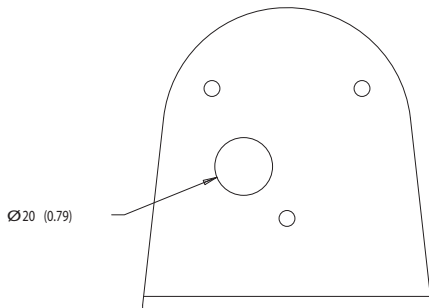
90 mm Beacon Surface Mount



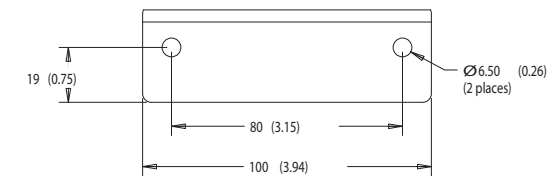
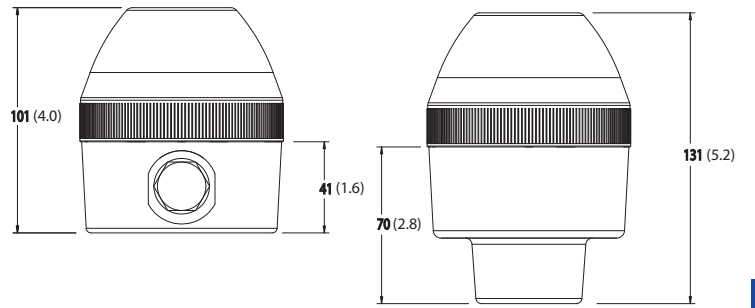
90 mm Beacon Tube Mount



90 mm Beacon Vertical Bracket



90 mm LED Beacon

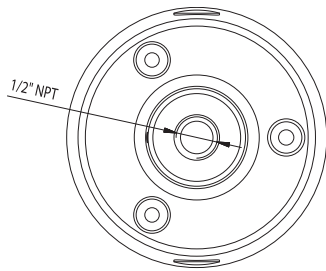
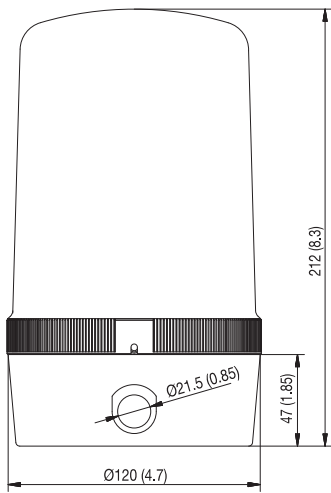


Round Beacons

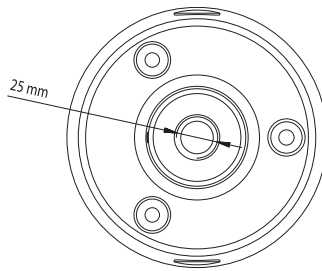
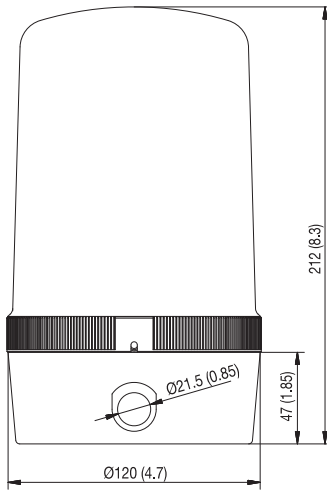
Approximate Dimensions, Continued

Dimensions in millimeters (inches). Dimensions are not intended to be used for manufacturing purposes.

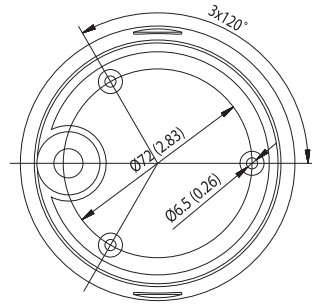
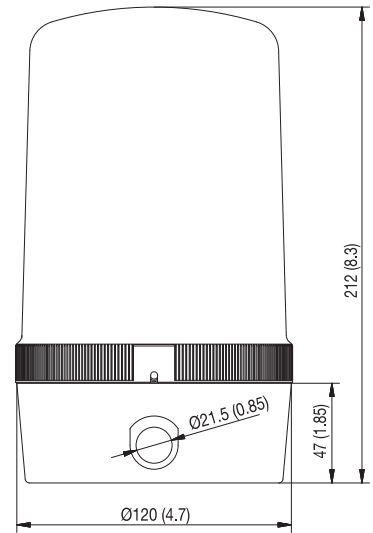
120 mm Beacon NPT Conduit Mount



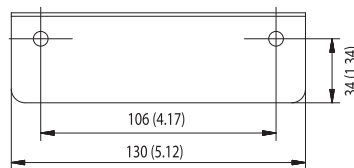
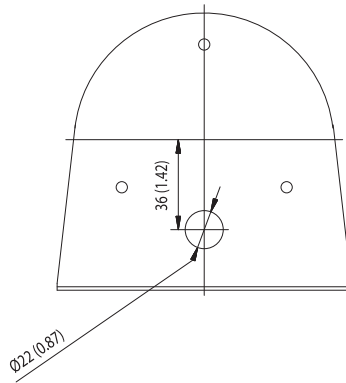
120 mm Beacon Tube Mount



120 mm Beacon Surface Mount

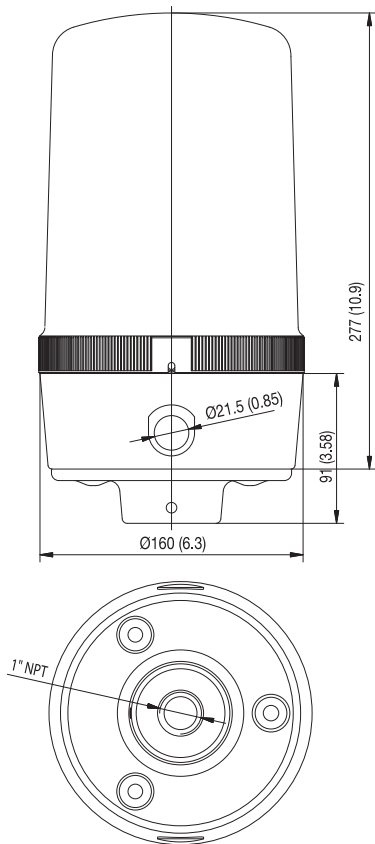


120 mm Beacon Vertical Bracket

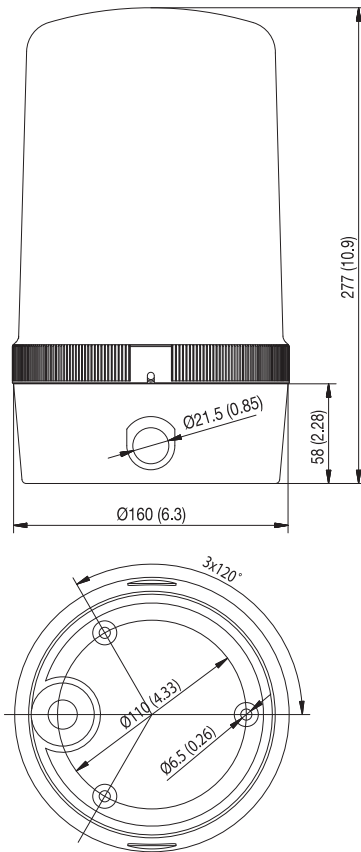


Dimensions in millimeters (inches). Dimensions are not intended to be used for manufacturing purposes.

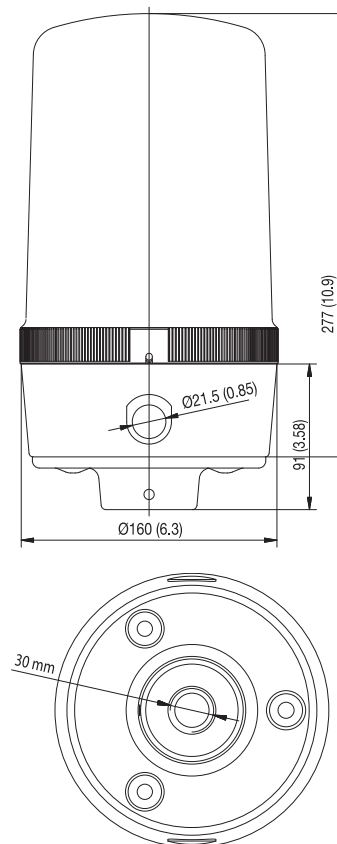
160 mm Beacon NPT Mount



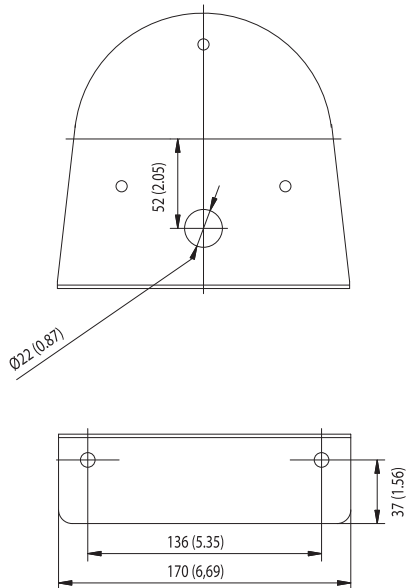
160 mm Beacon Surface Mount



160 mm Beacon Tube Mount




160 mm Beacon Vertical Bracket

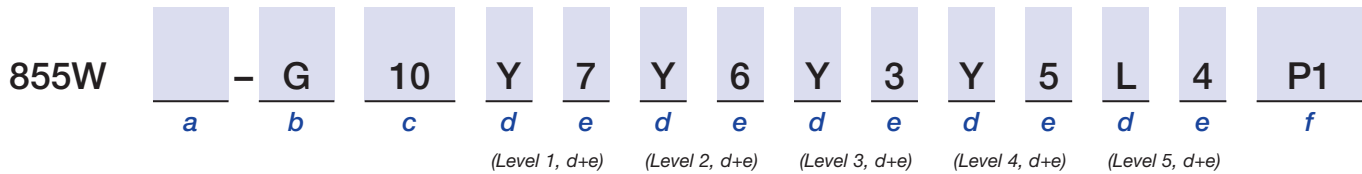
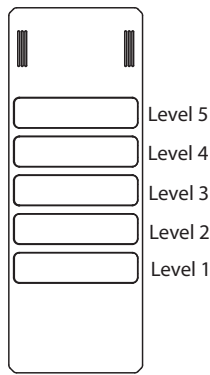


Bulletins 855W, 855D, 855F, 855E, 855T
Signal and Control Tower™ Lights
 Product Overview

Bulletin	855W	855D	855F	855E	855T
Type	Wall Mount Signal Lights	Compact Control Tower™ Lights — 30 mm	Compact Control Tower™ Lights — 70 mm	Control Tower™ Lights — 50 mm	Control Tower™ Lights — 70 mm
Environmental Ratings	UL Type 4/4X/13, IP65 Indoor and outdoor use	UL Type 4/4X/13, IP65 Indoor and outdoor use	UL Type 4/4X/13, IP65 Indoor and outdoor use	UL Type 4/4X/13, IP65 on all bases, lights and caps sound modules Indoor and outdoor use	UL Type 4/4X/13, IP65 on all bases, lights piezo style sound and caps (sound and light with sound combo modules are IP54) Indoor and outdoor use
Ease of Assembly, Base Wiring and Lamp Changes	No assembly required - all towers are assembled and tested at the factory	No assembly required - all towers are assembled, wired, and tested at the factory	No assembly required - all towers are assembled, wired, and tested at the factory	No-tools assembly and maintenance, "Twist-off" lenses for easy lamp changes, top-mounted terminal block for easy base wiring	No-tools assembly and maintenance, "Twist-off" lenses for easy lamp changes, top-mounted terminal block for easy base wiring
Illumination Types	LED	LED	LED	Incandescent, socket-mount LED, or strobe	Incandescent, socket-mount LED, or strobe
Lens Colors	Green, Red, Amber, Blue, Yellow, Clear	Green, Red, Amber, Blue, Yellow, Clear	Green, Red, Amber, Blue, Yellow, Clear	Green, Red, Amber, Blue, Yellow, Clear	Green, Red, Amber, Blue, Yellow, Clear
Pole-Mount Base Options	—	Surface, 10 cm metric tube, and 25 cm metric tube	Surface, 10 cm metric tube, and 25 cm metric tube	10, 25, 40, 60, and 80 cm bases	10, 25, 40, 60, and 80 cm - aluminium or stainless steel bases
Other Base Mounting Options	Can be mounted in any orientation	Vertical bracket, conduit adapter, and quick-release base	Vertical bracket, conduit adapter, and quick-release base	Surface-mount bases (surface-mount bases also feature 1/2NPT, PG16 and M20 threading options) Vertical-mount bases	Surface-mount bases (surface-mount bases also feature 1/2NPT, PG16 threading options) Vertical-mount bases
Housing Colors	Grey or chrome cover housing	Black or grey base housing	Black or grey base housing	Black or grey base housing	Black or grey base housing
Sound Options	Piezo-style sound module (continuous or pulsing)	Piezo-style sound modules in single and two tone	Piezo-style sound modules in single and two tone	Piezo-style sound modules in single and two tone	Transducer-style or Piezo-style sound modules available in single or two tone (sound modules are UL Type 12, IP54), Piezo styles and modules also available in 4/4X
Connectivity	Standard connectivity	Standard connectivity	Standard connectivity	Standard connectivity	Standard or DeviceNet connectivity
Voltage Options	Base plate available in: 24V AC/DC, 120V AC, 240V AC as standard offerings	Bases available in: 24V AC/DC, 120V AC, 240V AC as standard offerings	Bases available in: 24V AC/DC, 120V AC, 240V AC as standard offerings	All modules available in: 12V AC/DC, 24V AC/DC, 120V AC, 240V AC as standard offerings	All modules available in: 12V AC/DC, 24V AC/DC, 120V AC, 240V AC as standard offerings
Pole Connection Box	—	—	—	Surface, Vertical, and Magnetic Mount	Surface, Vertical, and Magnetic Mount
Standards	cULus Listed, CE	cULus Listed	cULus Listed	cULus Listed and CE on all components	cULus Listed and CE on all components
Operating Temperature	-25...+50 °C	-25...+50 °C	-25...+60 °C	-25...+50 °C	-25...+70 °C
Material	Polycarbonate - Base & Lenses ABS - Cover	Polycarbonate - Bases, Cap, Lens Cover, Sound Module Housing, Lens, & Lamp Socket	Polycarbonate - Bases, Cap, Lens Cover, Sound Module Housing, Lens, & Lamp Socket	Polycarbonate (no sound module) - Bases, Cap, Lens Cover, Lens, & Lamp Socket	Polycarbonate - Bases, Cap, Lens Cover, Sound Module Housing, Lens, & Lamp Socket
Product Selection	Page 11-31	Page 11-34	Page 11-38	Page 11-42	Page 11-48

	<p>Bulletin 855W — Wall Mount Signal Light</p> <ul style="list-style-type: none"> • UL Type 4/4X/13, IP65 • Configurations from 2...5 light levels, available with or without sound • Steady and flashing LED light modules, 24V AC/DC, 110/120V AC, and 230/240V AC • User-selectable, continuous, or pulsing piezo sound modules • Six light colors to choose from • Two housing colors (grey, chrome), available to match application needs • Can be mounted in any orientation 	<p>Table of Contents</p> <p>Product Selection..... this page</p> <p>Specifications..... 11-33</p> <p>Approximate Dimensions..... 11-33</p>
---	--	---

Pre-Assembled Wall Mount Signal Lights, Two to Five Light Levels



a

Network Option	
Code	Description
Blank	No network option

b

Housing Color	
Code	Description
C	Chrome plated
G	Grey

c

Voltage	
Code	Description
24	24V AC/DC
10	120V AC
20	240V AC

d

Module Type	
Code	Description
Y	Steady LED
L	Flashing LED

e

Lens Color	
Code	Description
3	Green
4	Red
5	Amber
6	Blue
7	Clear
8	Yellow

f

Sound	
Code	Description
Blank	No sound
P1	Piezo Sounder (continuous/pulsing)

Wall Mount Signal Light

Product Selection

Housing Color	Voltage	Level 1		Level 2		Level 3		Level 4		Level 5		Piezo Sound Module	Cat. No.		
		LED Module	Color	LED Module	Color	LED Module	Color	LED Module	Color	LED Module	Color				
Grey	24V AC/DC	Steady	Green	Steady	Amber	Steady	Red	—	—	—	—	Yes	855W-G24Y3Y5Y4P1		
			Green		Amber	Flashing	Red	—	—	—	—		855W-G24Y3Y5L4P1		
			Blue		Amber	Steady	Red	—	—	—	—		855W-G24Y6Y5Y4P1		
			Clear		Amber		Red	—	—	—	—		855W-G24Y7Y5Y4P1		
			Blue		Green		Amber	Flashing	Red	—	—		855W-G24Y6Y3Y5L4P1		
			Blue		Green		Amber	Steady	Red	—	—		855W-G24Y6Y3Y5Y4P1		
			Clear		Green		Amber	Flashing	Red	—	—		855W-G24Y7Y3Y5L4P1		
			Blue		Green		Amber	Steady	Clear	—	—		855W-G24Y6Y3Y5Y7P1		
			Green		Red		—	—	—	—	—		855W-G24Y3Y4P1		
			Green		Flashing		Red	—	—	—	—		855W-G24Y3L4P1		
			Green		Steady		Red	—	—	—	—		—	855W-G24Y3Y4	
			Green				Amber	Steady	Red	—	—		—	855W-G24Y3Y5Y4	
	Blue	Amber	Red	—			—		—	855W-G24Y6Y5Y4					
	Blue	Green	Amber	Steady			Red		—	—	855W-G24Y6Y3Y5Y4				
	Blue	Green	Amber	Steady	Red	—	—		855W-G10Y3Y5L4P1						
	120V AC	Steady	Green	Steady	Amber	Flashing	Red	—	—	—	—	Yes	855W-G10Y3Y5L4P1		
			Green		Amber	Red	—	—	—	—	855W-G10Y3Y5Y4P1				
			Blue		Green	Amber	Steady	Red	—	—	855W-G10Y6Y3Y5Y4P1				
			Blue		Green	Amber	Flashing	Red	—	—	855W-G10Y6Y3Y5L4P1				
			Clear		Blue	Green	Steady	Amber	Steady	Amber	Steady		Red	—	855W-G10Y7Y6Y3Y5Y4P1
			Clear		Blue			Amber		Flashing	Red		—	855W-G10Y7Y6Y3Y5L4P1	
			Green		Red	—	—	—	—	—	—		—	855W-G10Y3Y4P1	
			Green		Flashing	Red	—	—	—	—	—		—	855W-G10Y3L4P1	
			Green		Steady	Red	—	—	—	—	—		—	855W-G10Y3Y4	
Green			Amber			Steady	Red	—	—	—	—		855W-G10Y3Y5Y4		
Blue			Green				Amber	Steady	Red	—	—		855W-G10Y6Y3Y5Y4		
Clear			Blue				Green		Amber	Steady	Red		—	855W-G10Y7Y6Y3Y5Y4	
Chrome	24V AC/DC	Steady	Green	Steady	Amber		Steady	Red	—	—	—	Yes	855W-C24Y3Y5Y4P1		
			Green		Amber	Red	—	—	—	—	855W-C24Y3Y5L4P1				
			Blue		Amber	Flashing	Red	—	—	—	—		855W-C24Y6Y5L4P1		
			Clear		Amber	Red	—	—	—	—	—		855W-C24Y7Y5L4P1		
			Blue		Green	Steady	Amber	Flashing	Red	—	—		855W-C24Y6Y3Y5L4P1		
			Blue		Green		Amber	Steady	Red	—	—		855W-C24Y6Y3Y5Y4P1		
			Clear		Green		Amber	Flashing	Red	—	—		855W-C24Y7Y3Y5L4P1		
			Blue		Green		Amber	Steady	Clear	—	—		855W-C24Y6Y3Y5Y7P1		
			Clear		Blue		Green		Amber	Steady	Red		—	855W-C24Y7Y6Y3Y5Y4P1	
			Clear		Blue		Green	Steady	Amber	Flashing	Red		—	855W-C24Y7Y6Y3Y5L4P1	
			Green		Red		—		—	—	—		—	855W-C24Y3Y4P1	
			Green		Flashing		Red	—	—	—	—		—	855W-C24Y3L4P1	
	Green	Steady	Amber	Steady	Red		—	—	—	—	855W-C24Y3Y5Y4				
	Blue		Green		Amber		Steady	Clear	—	—	855W-C24Y6Y3Y5Y7				
	Green		Red		—		—	—	—	—	855W-C24Y3Y4				
	Green		Steady		Red		—	—	—	—	855W-C10Y3Y4P1				
	120V AC	Steady	Green	Flashing	Red	—	—	—	—	—	855W-C10Y3L4P1	Yes	855W-C10Y3Y4		
			Green	Red	—	—	—	—	—	—	855W-C10Y3Y4				
			Green	Steady	Amber	Steady	Red	—	—	—	—		855W-C10Y3Y5Y4		
			Green		Amber		Steady	Red	—	—	—		855W-C10Y3Y5Y4		

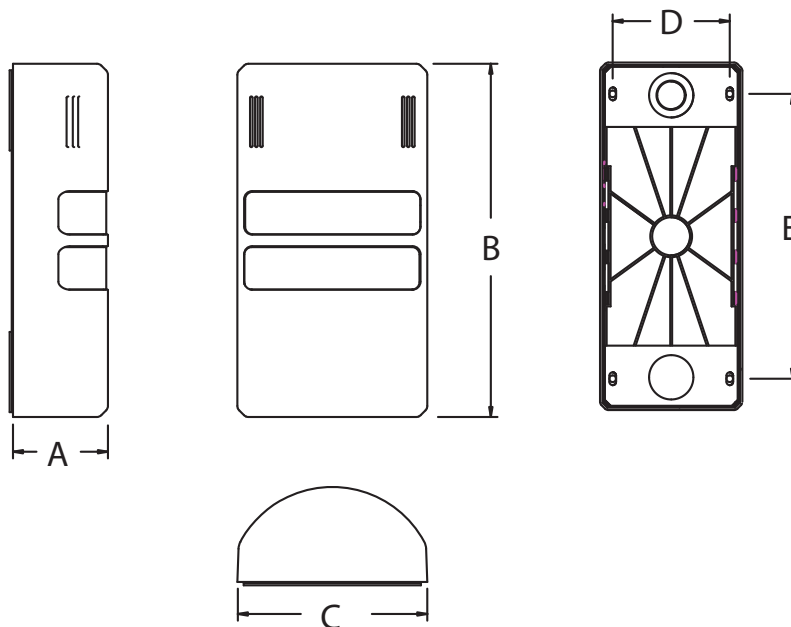


Specifications

Environmental Ratings					
Ingress Ratings	Light/Sound	IP65/UL Type 4/4X/13			
Temperature Ratings	Operating Temperature	-25...+50 °C (-13...+122 °F)			
	Storage Temperature	-25...+85 °C (-13...+185 °F)			
Materials					
Lenses and Base	Polycarbonate (94V-0)				
Cover	ABS				
Rubber Seals and Gaskets	NBR 70				
Electrical Ratings					
Description		24V AC/DC	120V AC	240V AC	
Operating Voltage		24V AC/DC (± 10%)	110V AC 50 Hz (± 10%) 120V AC 60 Hz (± 10%)	230V AC 50 Hz (± 10%) 240V AC 60 Hz (± 10%)	
Current Consumption	Steady or Flashing LED	43 mA per channel, max.	33 mA per channel, max.	30 mA per channel, max.	
	Piezo Sounder	62 mA	24 mA	24 mA	
Leakage Current Impact		≤ 3 mA			
Mechanical Ratings					
Design Life Rating (Average life under static, no vibration conditions)	Steady or Flashing LED	30 000...50 000 hrs			
	Piezo Sounder	> 10 000 hrs			
Frequency	Flashing LED	2 Hz			
dB Rating	Piezo Sounder	90 dBA (potentiometer adjustable down to 70 dB) All dB(A) ratings determined at a distance of 1 meter from sound module			

Approximate Dimensions

Dimensions in millimeters (inches). Dimensions are not intended to be used for manufacturing purposes.



Number of Levels	Dimension A	Dimension B	Dimension C	Dimension D	Dimension E
2	45 (1.77)	167.4 (6.59)	90 (3.54)	74 (2.91)	125 (4.92)
3		193.5 (7.62)			150 (5.91)
4		219.6 (8.65)			180 (7.09)
5		245.7 (9.67)			210 (8.27)

30 mm Compact Control Tower™ Stack Lights

Product Selection



Bulletin 855D — 30 mm Compact Control Tower™ Lights

- UL Type 4/4X/13, IP65
- Steady and flashing LED light modules
- Continuous or pulsing piezo sound modules
- Mounting options include: surface mount, pole with foot, metric tube, and direct mount

Table of Contents

Product Selection this page
 Accessories..... 11-35
 Specifications..... 11-36
 Approximate Dimensions..... 11-37

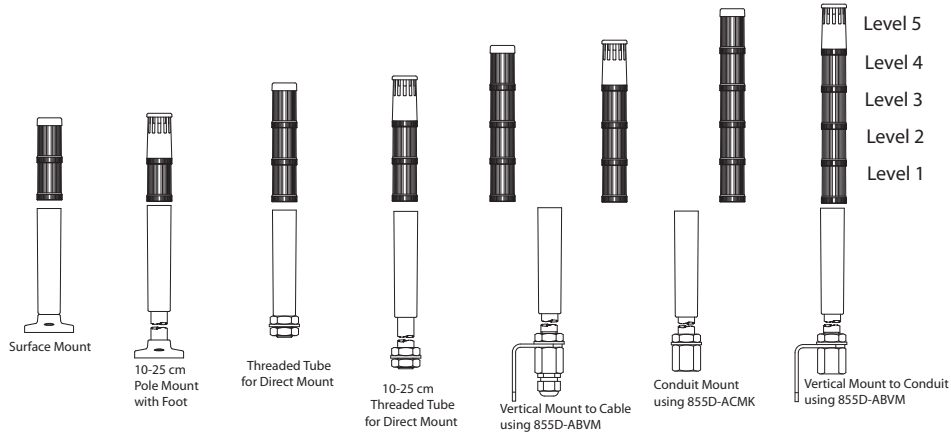
Standards Compliance

UL 508
 CSA C22.2 No. 14
 EN/IEC 60947-1
 EN/IEC 60947-5-1

Certifications

cULus Listed (File No. E14840, Guides NKCR, NKCR7)

Pre-Assembled and Pre-wired Tower Lights, One to Five Modules



855D **P00** – **SC20** **B** **24** **Y** **3** **Y** **4** **Y** **5** **L** **7** **P** **1**
a b c d e f g f g f g f g f g f g
 (Level 1, f+g) (Level 2, f+g) (Level 3, f+g) (Level 4, f+g) (Level 5, f+g)

a

Base Type	
Code	Description
P00	Surface Mount
P10	10 cm Aluminum Pole Mount with Foot
P25	25 cm Aluminum Pole Mount with Foot
T00	0 cm M20 Metric Threaded Tube for Direct Mount
T10	10 cm M20 Metric Threaded Tube for Direct Mount
T25	25 cm M20 Metric Threaded Tube for Direct Mount
Q10	10 cm Quick Release Mount Pole
Q25	25 cm Quick Release Mount Pole

b

Network Option	
Code	Description
Blank	No network option

c

Cable Connector and Length>	
Code	Description
SC20	Stranded Cable, 2 m, yellow jacket
Blank	No Cable (only for Q10 or Q25 base types)

d

Housing Color	
Code	Description
B	Black
G	Grey

e

Voltage	
Code	Description
24	24V AC/DC
10	120V AC
20	240V AC

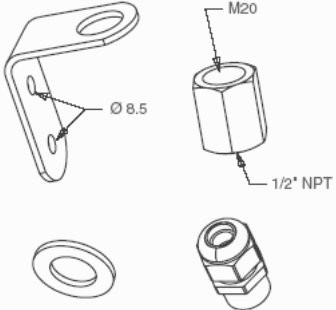
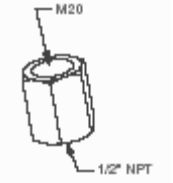
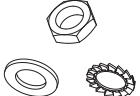
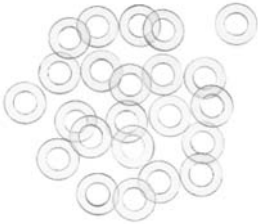

f

Module Type ‡§	
Code	Description
Y	Steady LED
L	Flashing LED
C	Piezo Sound Alarm, Continuous Tone
P	Piezo Sound Alarm, Pulsing Tone
Q	Dual-Circuit Piezo Sound Alarm *.

g

Lens Color/Sound	
Code	Description
1	Sound Module
3	Green
4	Red
5	Amber
6	Blue
7	Clear
8	Yellow

‡ Sound module types (**C**, **P**, **Q**) must be on the top-most level, they must be configured with Lens Color/Sound Code 1, and only one sound module is allowed per assembly.
 § Light module types (**Y**, **L**) can only be configured with Lens Color/Sound Codes **3**, **4**, **5**, **6**, **7**, or **8**.
 * If the dual circuit sound module (**Q**) is selected, the maximum number of light modules allowed is three (two circuits are required for the dual circuit sound module).
 > The SC20 cable must be ordered for all bases, except the Q10 and Q25 bases.

	Description	Cat. No.
	<p>Gaskets Vertical Mount Kit includes the following:</p> <ul style="list-style-type: none"> • L-bracket • thread adapter • black cable gland (1/2 in. NPT) • plastic washer 	855D-ABVM
	<p>Conduit Mount Kit M20 to 1/2 in. NPT thread adapter</p>	855D-ACMK
	<p>Direct Mount Kit includes the following:</p> <ul style="list-style-type: none"> • M20 nut • plastic washer • metal lock washer 	855D-ARDM
Base Foot Gasket (Bag of 5)		855D-APFG
	<p>Mounting Screw Washer Kit Replacement flat washers are used to provide a seal where the mounting screw meets the pole base. (1 kit includes 20 pieces)</p>	855T-AMSG
	<p>Field-installable 4-pin DC Micro style terminal chamber. For additional chamber style terminals see the On-Machine Connectivity Catalog, M115-CA001*-EN-P.</p>	871A-TS4-DM

30 mm Compact Control Tower™ Stack Lights

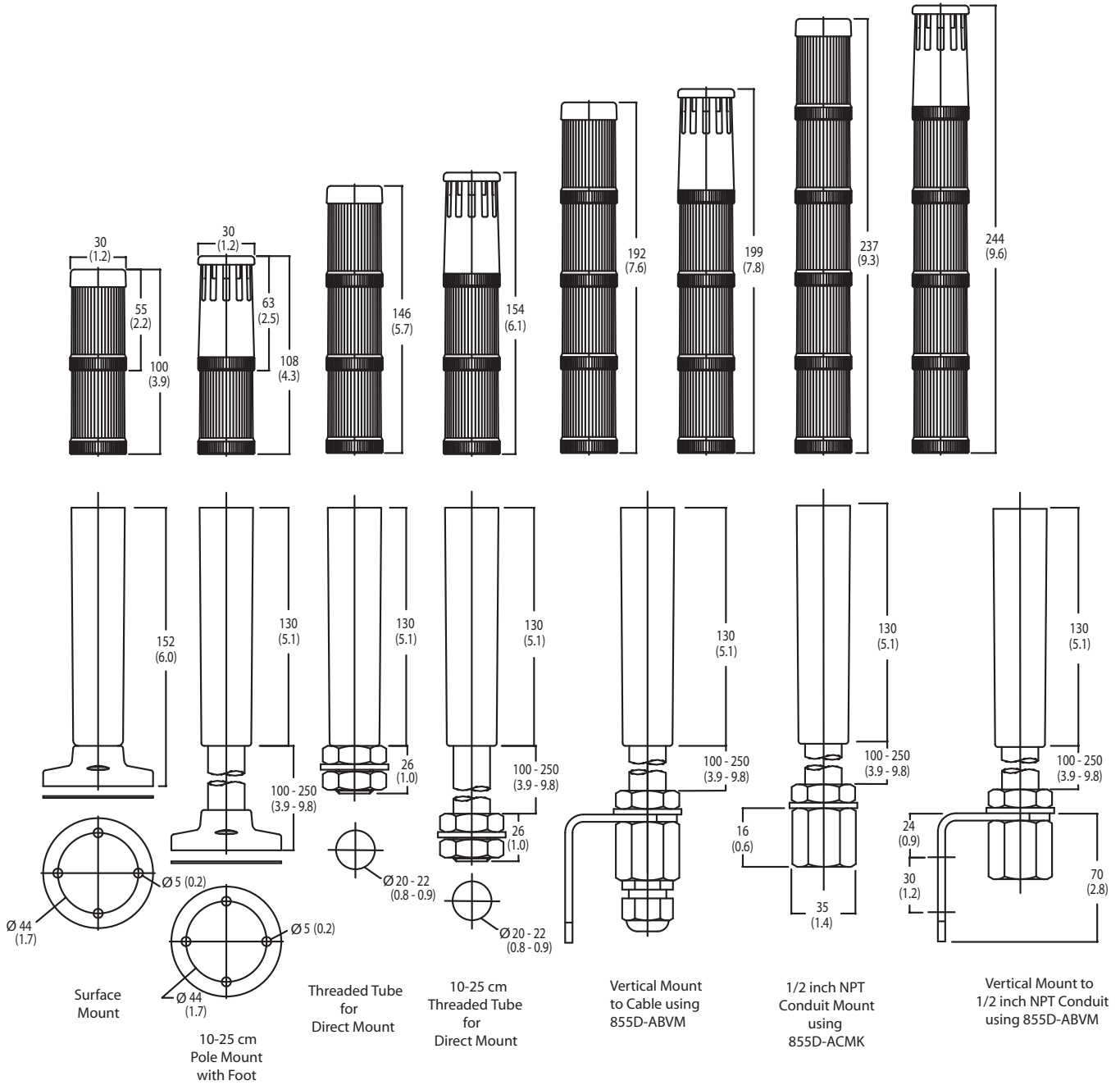
Specifications

Mechanical Ratings				
Shock and Vibration		Based on the weight and style of mounting; tower lights are subject to damage from shock and vibration. Listed below are reference guidelines for maximum acceptable conditions.		
		1 Module Stack	3 Module Stack	5 Module Stack
Standard Bases	Surface Mount Base or 10/25 cm Aluminum Pole Base	150 G Shock 2.5 G Vibration	45 G Shock 2.5 G Vibration	35 G Shock 2.0 G Vibration
Environmental Ratings				
Ingress Ratings	Light Modules	IP65/UL Type 4/4X/13		
	Sound Modules	IP65/UL Type 4/4X/13		
	Surface, Pole, Vertical, Tube Mount Bases	IP65/UL Type 4/4X/13		
Temperature Ratings — All Products	Operating Temperature	-25...+50 °C (-13...+122 °F)		
	Storage Temperature	-25...+85 °C (-13...+185 °F)		
Materials				
Bases, Caps, Lens Covers, Sound Module Housings		Polycarbonate		
Rubber Seals and Gaskets		Nitrile Rubber		
Pole (for aluminum pole assembly)		Aluminum		
Pole Base Footing (for aluminum pole base)		Polycarbonate		
Insulation Sleeve (for pole insulation)		PVC		
Mounting Screw Washers		Polyamide		
Performance Ratings				
Estimated Light Output†	Steady, Flashing, Red	1000 mcd		
	Steady, Flashing, Amber	800 mcd		
	Steady, Flashing, Green	1500 mcd		
	Steady, Flashing, Yellow	700 mcd		
	Steady, Flashing, Blue	250 mcd		
	Steady, Flashing, White	1000 mcd		
Operating Voltage				
Description		24V AC/DC	120V AC	240V AC
Light Modules		24V AC/DC (± 10%)	110V AC 50 Hz (± 10%)	230V AC 50 Hz (± 10%)
Sound Modules			120V AC 60 Hz (± 10%)	240V AC 60 Hz (± 10%)
Lamp Life Ratings (Design Life) Average Life Under Static, No Vibration, Conditions				
Description		24V AC/DC	120V AC	240V AC
LED Modules			100 000 hrs	
Sound Modules			20 000 hrs	
† Light Output values are calculated from the LED datasheet and show typical values of luminous density. These values are not exact because the knurling in the lens affects the light distribution and because the viewing angle of the LED which directly relates to the Cd output value, is not identical for all LEDs.				
Current Consumption				
Description		24V AC/DC	120V AC	240V AC
Light Modules	Steady or Flashing LED	20 mA	22 mA	21 mA
Piezo Style Sound Modules	Single and Dual Circuit	40 mA	22 mA	21 mA
Flashing Frequency (Light Only Modules)				
Flashing LED Modules	Flashing frequency approximately 2 Hz			
dB Rating (Sound Modules)				
All dB(A) ratings determined at a distance of 1 meter from sound module				
Piezo Sound Module	85 dB(A) (+2 dB/-5 dB)			
Leakage Current Impact				
All light and sound modules are capable of absorbing up to 3 mA of leakage current from solid-state outputs without module activation.				

Bulletin 855D
30 mm Compact Control Tower™ Stack Lights
 Approximate Dimensions

Dimensions in millimeters (inches). Dimensions are not intended to be used for manufacturing purposes.

Pre-assembled Tower Lights



70 mm Compact Control Tower™ Stack Lights

Product Selection, Continued


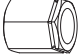
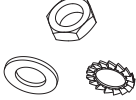
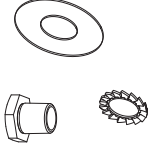


Pre-Assembled Stacks

Products listed in the table below are typically in stock. Additional configurations (voltage, bases, colors, and sound) are available with extended leadtime. Contact your local Rockwell Automation sales office or Allen-Bradley distributor for details on availability and pricing.

Note: The minimum order quantity is ten compact control towers that must all have the same configuration.

Base Type	Voltage	Level 1		Level 2		Level 3		Level 4	Cat. No.	
		Module	Color	Module	Color	Module	Color	Module		
10 cm Aluminum Pole Mount	24V AC/DC	Steady LED	Amber	Steady LED	Red	—	—	—	855F-P10SC20B24Y5Y4	
			Green		Amber	Steady LED	Red	—	855F-P10SC20B24Y3Y5Y4	
	Amber		Red		—	—	—	855F-P10SC20B10Y5Y4		
	Green		Amber		Steady LED	Red	—	855F-P10SC20B10Y3Y5Y4		
10 cm Threaded Tube Mount	24V AC/DC		Amber		Steady LED	Red	—	—	—	855F-T10SC20B24Y5Y4
			Green			Amber	Steady LED	Red	—	855F-T10SC20B24Y3Y5Y4
	Amber		Red			—	—	—	855F-T10SC20B10Y5Y4	
	Green		Amber			Steady LED	Red	—	855F-T10SC20B10Y3Y5Y4	
10 cm Aluminum Pole Mount	24V AC/DC	Green	Steady LED	Amber		Steady LED	Red	100 dB Dual Circuit Piezo Sound Alarm	855F-P10SC20B24Y3Y5Y4Q1	
		Red		100 dB Piezo Sound Alarm, Pulsing Tone		—	—	—	—	855F-P10SC20B24Y4P1

Accessories

	Description	Cat. No.
	Vertical Mount Kit includes the following: • L-bracket • thread adapter (G1/2 in. to 1/2 in. NPT) • black cable gland (1/2 in. NPT) • plastic washer	855F-ABVM
	Conduit Mount Kit G1/2 in. to 1/2 in. NPT thread adapter	855F-ACMK
	Direct Mount Kit includes the following: • G1/2 in. nut • plastic washer • metal lock washer	855F-ARDM
	Surface Mount Kit includes the following: • threaded connector (1/2 in. NPT) • surface-mount gasket • lock washer	855F-ASMK
	Mounting Screw Washer Kit Replacement flat washers are used to provide a seal where the mounting screw meets the pole base. (1 kit includes 20 pieces)	855T-AMSG
	Field-installable 4-pin DC Micro style terminal chamber. For additional chamber style terminals see the On-Machine Connectivity Catalog, M115-CA001*-EN-P.	871A-TS4-DM

70 mm Compact Control Tower™ Stack Lights

Specifications

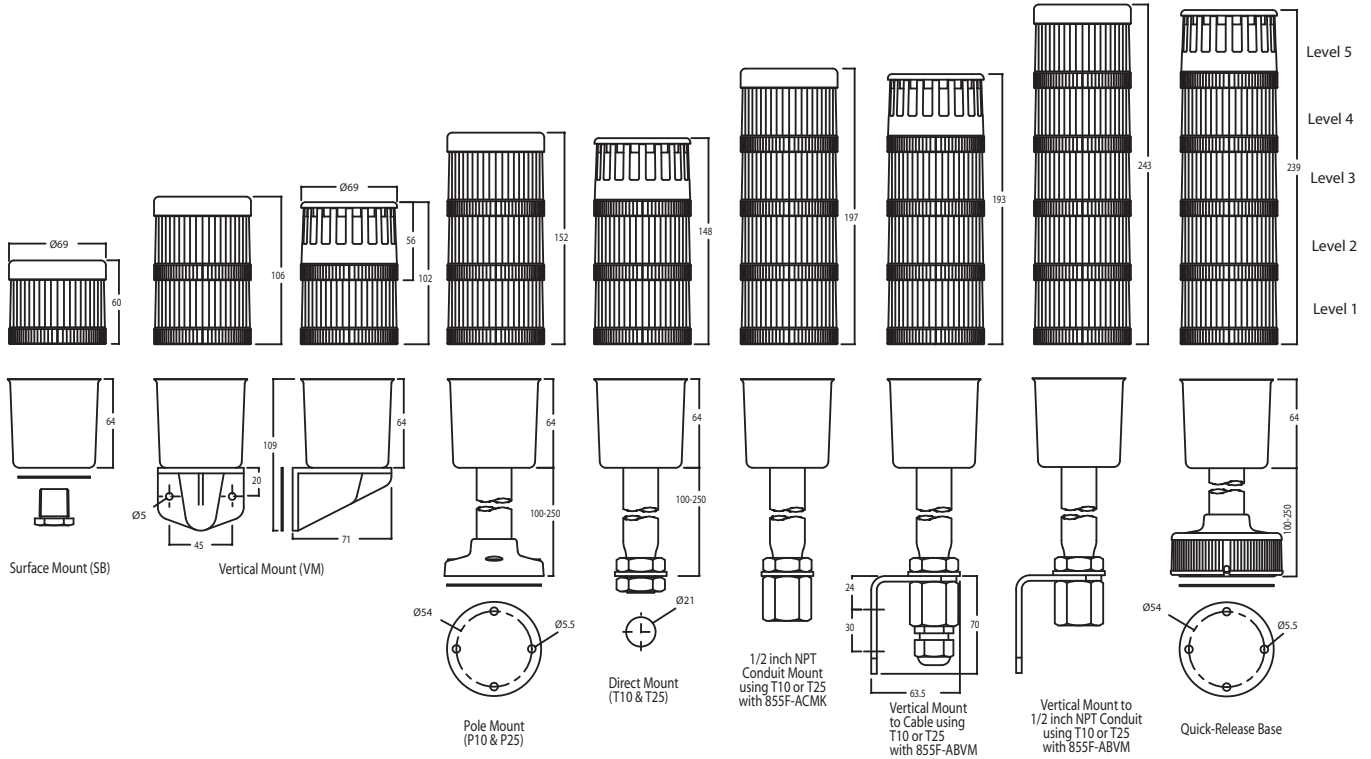
Mechanical Ratings				
Shock and Vibration		Based on the weight and style of mounting; tower lights are subject to damage from shock and vibration. Listed below are reference guidelines for maximum acceptable conditions.		
		1 Module Stack	3 Module Stack	5 Module Stack
Standard Bases	Surface Mount Base or 10/25 cm Aluminum Pole Base	150 G Shock 2.5 G Vibration	45 G Shock 2.5 G Vibration	35 G Shock 2.0 G Vibration
Environmental Ratings				
Ingress Ratings	Light Modules	UL Type 4/4X/13, IP65		
	Sound Modules	UL Type 4/4X/13, IP65		
	Surface, Pole, Vertical, Tube Mount Bases	UL Type 4/4X/13, IP65		
Temperature Ratings — All Products	Operating Temperature	-25...+60 °C (-13...+140 °F)		
	Storage Temperature	-25...+85 °C (-13...+185 °F)		
Materials				
Bases, Caps, Sound Module Housings, Lenses		Polycarbonate		
Rubber Seals and Gaskets		Nitrile Rubber		
Pole (for aluminum pole assembly)		Aluminum		
Pole Base Footing (for aluminum pole base)		Polycarbonate		
Insulation Sleeve (for pole insulation)		PVC		
Mounting Screw Washers		Polyamide		
Performance Ratings				
Estimated Light Output‡	Steady, Flashing, Red	1000 mcd		
	Steady, Flashing, Amber	800 mcd		
	Steady, Flashing, Green	1500 mcd		
	Steady, Flashing, Yellow	700 mcd		
	Steady, Flashing, Blue	250 mcd		
	Steady, Flashing, White	1000 mcd		
Operating Voltage				
Description		24V AC/DC	120V AC	240V AC
Light Modules		24V AC/DC (± 10%)	110V AC 50 Hz (± 10%)	230V AC 50 Hz (± 10%)
Sound Modules			120V AC 60 Hz (± 10%)	240V AC 60 Hz (± 10%)
Lamp Life Ratings (Design Life) Average Life Under Static, No Vibration, Conditions				
Description		24V AC/DC	120V AC	240V AC
LED Modules		100 000 hrs		
Sound Modules		20 000 hrs		
‡ Light Output values are calculated from the LED datasheet and show typical values of luminous density. These values are not exact because the knurling in the lens affects the light distribution and because the viewing angle of the LED which directly relates to the Cd output value, is not identical for all LEDs.				
Current Consumption				
Description		24V AC/DC	120V AC	240V AC
Light Modules	Steady or Flashing LED	20 mA	22 mA	21 mA
Piezo Style Sound Modules	Single and Dual Circuit	53 mA	22 mA	21 mA
Flashing Frequency (Light Only Modules)				
Flashing LED Modules	Flashing frequency approximately 2 Hz			
dB Rating (Sound Modules)				
All dB(A) ratings determined at a distance of 1 meter from sound module				
Piezo Sound Module	100 dB(A) (+2 dB/-5 dB)			
Leakage Current Impact				
All light and sound modules are capable of absorbing up to 3 mA of leakage current from solid-state outputs without module activation.				

70 mm Compact Control Tower™ Stack Lights

Approximate Dimensions

Dimensions in millimeters (inches). Dimensions are not intended to be used for manufacturing purposes.

Assembled Stacks



50 mm Control Tower™ Stack Lights

Product Selection



Bulletin 855E 50 mm Control Tower™ Lights

- UL Type 4/4X/13, IP65
- Stacking configurations 1...5 modules high
- “No Tools” lens assembly
- Surface, vertical, or pole mounting
- Top-mounted terminal blocks on all bases

Standards Compliance

UL 508
 CSA C22.2 No. 14
 EN/IEC 60947-1
 EN/IEC 60947-5-1

Certifications

cULus Listed (File No. E14840, Guides NKCR, NKCR7)
 CE Marked

Table of Contents

Light Modules this page
 Sound Modules 11-43
 Bases..... 11-44
 Pre-assembled
 Tower Lights 11-45
 Accessories..... 11-54
 Specifications..... 11-46
 Approx. Dimensions . 11-47

Light Modules

855E – **10** **FN** **4**
 a *b* *c*



Flashing Incandescent

a

Voltage	
Code	Description
00	0...250V AC/DC (No-Lamp Module*)
12	12V AC/DC
24	24V AC/DC
10	120V AC
20	240V AC

b

Light Module Type	
Code	Description
XN	Steady No Lamp*
DN	Steady Incandescent
FN	Flashing Incandescent
TL	Steady Socket - Mount LED
GL	Flashing Socket - Mount LED
BR	Strobe

c

Lens Color	
Code	Description
3	Green
4	Red
5	Amber
6	Blue
7	Clear
8	Yellow

* Can only be selected with module type **XN**, voltage code **00**. Accepts socket mount LED and incandescent lamp types.

Voltage	Color	Illumination Type	Cat. No.
0...250V No-Lamp Module	Green	Steady Incandescent/LED	855E-00XN3
	Red		855E-00XN4
24V AC/DC	Green	Steady Incandescent	855E-24DN3
		Flashing Incandescent	855E-24FN3
		Steady LED	855E-24TL3
	Red	Steady Incandescent	855E-24DN4
		Flashing Incandescent	855E-24FN4
		Strobe	855E-24BR4
	Amber	Steady Incandescent	855E-24DN5
		Flashing Incandescent	855E-24FN5
		Steady LED	855E-24TL5
120V AC	Green	Steady Incandescent	855E-10DN3
		Flashing Incandescent	855E-10FN3
		Steady LED	855E-10TL3
	Red	Steady Incandescent	855E-10DN4
		Flashing Incandescent	855E-10FN4
		Strobe	855E-10BR4
	Amber	Steady Incandescent	855E-10DN5
		Flashing Incandescent	855E-10FN5
		Steady LED	855E-10TL5

50 mm Control Tower™ Stack Lights

Product Selection, Continued

Sound Modules

Sound modules have continuous and pulsing tones. Maximum sound output is 103 dB @ 1 meter. A reduced volume setting is available by changing the position of the volume dipswitch, producing a sound output of 88 dB @ 1 meter.

855E – **B** **10** **TA3**
a b c



Black-Two Tone Sound Module

a

Housing Color	
Code	Description
B	Black
G	Grey

b

Voltage	
Code	Description
12	12V AC/DC
24	24V AC/DC
10	120V AC
20	240V AC

c

Module Type	
Code	Description
SA3	Single Circuit/Single Tone Piezo Style (Continuous or pulsing tones modified by Dip switch)
TA3	Two Circuit/Two Tone Piezo Style (Continuous or pulsing tones modified by energizing one or two circuits of sound module)

Voltage	Housing Color	Module Type	Cat. No.
24V AC/DC	Black	Single Circuit/Single Tone	855E-B24SA3
		Two Circuit/Two Tone	855E-B24TA3
	Grey	Single Circuit/Single Tone	855E-G24SA3
		Two Circuit/Two Tone	855E-G24TA3
120V AC	Black	Single Circuit/Single Tone	855E-B10SA3
		Two Circuit/Two Tone	855E-B10TA3
	Grey	Single Circuit/Single Tone	855E-G10SA3
		Two Circuit/Two Tone	855E-G10TA3

50 mm Control Tower™ Stack Lights

Product Selection, Continued

Bases



Surface-Mount Base with Cap



Vertical-Mount Base with Cap



Pole-Mount Bases



Quick-Release Base

855E - **B** **VM** **C**
a *b* *c*

a

Housing Color	
Code	Description
B	Black
G	Grey

b

Base Type	
Code	Description
CB	Surface-Mount with 1/2 in NPT Threading
RB	Surface-Mount with M20 Metric Threading
SB	Surface-Mount with PG16 Threading
TM	25 mm Tube-Mount
VM	Vertical Mount
PM10	10 cm Aluminum Pole-Mount Base
PM25	25 cm Aluminum Pole-Mount Base
PM40	40 cm Aluminum Pole-Mount Base
PM60	60 cm Aluminum Pole-Mount Base
PM80	80 cm Aluminum Pole-Mount Base
MM10	10 cm On-Machine Base
MM25	25 cm On-Machine Base
MM40	40 cm On-Machine Base

c

Cap Option†	
Code	Description
Blank	No Cap
C	Cap Included

† Quick-release bases always include a cap.

Housing Color	Base Type	With Cap Option	Without Cap Option
		Cat. No.	Cat. No.
Black	Surface Mount — 1/2 NPT Thread	855E-BCBC	855E-BCB
	Surface Mount — PG16 Thread	855E-BSBC	855E-BSB
	Surface Mount — M20 Thread	855E-BRBC	855E-BRB
	Vertical Mount	855E-BVMC	855E-BVM
	25 mm Diameter Tube Mount	855E-BTMC	855E-BTM
	10 cm Aluminum Pole Mount	855E-BPM10C	855E-BPM10
	25 cm Aluminum Pole Mount	855E-BPM25C	855E-BPM25
	40 cm Aluminum Pole Mount	855E-BPM40C	855E-BPM40
	60 cm Aluminum Pole Mount	855E-BPM60C	855E-BPM60
	80 cm Aluminum Pole Mount	855E-BPM80C	855E-BPM80
	10 cm On-Machine Mount	855E-BMM10C	—
	25 cm On-Machine Mount	855E-BMM25C	—
	40 cm On-Machine Mount	855E-BMM40C	—

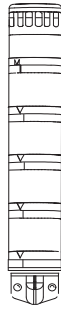
50 mm Control Tower™ Stack Lights

Product Selection, Continued

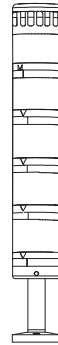
Pre-assembled Tower Lights, One to Five Modules



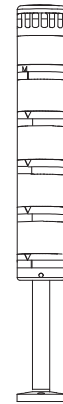
Surface Mount



Vertical Mount



10 cm Pole Mount



25 cm Pole Mount

Level 5
Level 4
Level 3
Level 2
Level 1

855 **EC** - **B** **10** **Y** **3** **L** **5** **B** **3** **F** **7** **Y** **6**

a *b* *c* *d* *e* *d* *e* *d* *e* *d* *e* *d* *e*

(Level 1) (Level 2) (Level 3) (Level 4) (Level 5)
d+e *d+e* *d+e* *d+e* *d+e*

a

Base Type	
Code	Description
EC	Surface Mount - 1/2 in NPT Threading
ES	Surface Mount - PG16
EV	Vertical Mount
EM	25 mm Tube Mount
EP	10 cm Pole Mount
EE	25 cm Pole Mount

b

Base & Cap Color	
Code	Description
B	Black
G	Grey

c

Voltage	
Code	Description
12	12V AC/DC
24	24V AC/DC
10	120V AC
20	240V AC

d

Module Type	
Code	Description
D	Steady Incandescent
F	Flashing Incandescent
Y	Steady LED
L	Flashing LED
B	Strobe
P	Single-Circuit Piezo Sound Module
Q	Two-Circuit Piezo Sound Module

e

Lens Color	
Code	Description
1	Sound Module*
3	Green
4	Red
5	Amber
6	Blue
7	Clear
8	Yellow

* Sound module option can only be selected with Module Type options P or Q in table e. They must be located in the top position of the stack.

50 mm Control Tower™ Stack Lights

Specifications

Mechanical Ratings					
Shock and Vibration		Based on the weight and style of mounting; tower lights are subject to damage from shock and vibration. Listed below are reference guidelines for maximum acceptable conditions.			
		1 Module Stack	3 Module Stack	5 Module Stack	
Standard Bases	Surface Mount Base or 10 cm Aluminum Pole Base	150 G Shock 5 G Vibration	45 G Shock 1.5 G Vibration	35 G Shock 0.75 G Vibration	
	Vertical Base or 25 cm Aluminum Pole Base	95 G Shock 3.5 G Vibration	30 G Shock 1.25 G Vibration	20 G Shock 0.5 G Vibration	
Recommended Wire Sizes		0.5...1.5 mm ² (22...16 AWG)			
Recommended Terminal Torque		0.87 N•m (7 lb•in)			
Environmental Ratings					
Ingress Ratings	Light Modules with Cap	UL Type 4/4X/13, IP65			
	Sound Modules	UL Type 4/4X/13, IP65			
	Surface, Vertical, Tube Mount Bases	UL Type 4/4X/13, IP65			
	Pole Mount Bases	UL Type 4/4X/13, IP65			
Temperature Ratings — All Products	Operating Temperature	-25...+50 °C (-13...+122 °F)			
	Storage Temperature	-40...+85 °C (-40...+185 °F)			
Materials					
Bases, Caps, Lens Covers, Sound Module Housings, Lenses		Polycarbonate			
Lamp Socket		Polycarbonate			
Rubber Seals and Gaskets		Nitrile Rubber			
Pole (for aluminum pole assembly)		Aluminum			
Pole Base Footing (for aluminum pole base)		Polycarbonate			
Insulation Sleeve (for pole insulation)		Polyolefin			
Mounting Screw Washers		Polypropylene			
Performance Ratings					
Description		12V AC/DC	24V AC/DC	120V AC	240V AC
Light Output	Steady Incandescent	0.5 MSCP 6.3 Lumens	2.5 MSCP 31.4 Lumens	3.0 MSCP 37.7 Lumens	0.49 MSCP 6.2 Lumens
	Flashing Incandescent	0.5 MSCP 6.3 Lumens	2.5 MSCP 31.4 Lumens	3.0 MSCP 37.7 Lumens	0.49 MSCP 6.2 Lumens
	Strobe	1 Joule per lamp			
	Steady, Flashing Socket Mount LED Red	900...2240 mcd			
	Steady, Flashing Socket Mount LED Green	900...1800 mcd			
	Steady, Flashing Socket Mount LED Amber	1400...3550 mcd			
	Steady, Flashing Socket Mount LED Blue	224...560 mcd			
	Steady, Flashing Socket Mount LED White and Yellow	900...1800 mcd			
Operating Voltage					
Description		12V AC/DC	24V AC/DC	120V AC	240V AC
Light Modules and Sound Modules		12V AC/DC (± 10%)	24V AC/DC (± 10%)	110V AC 50Hz (± 10%) 120V AC 60Hz (± 10%)	230V AC 50 Hz (± 10%) 240V AC 60 Hz (± 10%)
Lamp Life Ratings (Design Life) Average Life Under Static, No Vibration, Conditions					
Description		12V AC/DC	24V AC/DC	120V AC	240V AC
Incandescent Modules*‡		8 000 hrs	7 000 hrs	3 000 hrs	1 600 hrs
LED Modules		100 000 hrs			
Strobe Modules		15 000 hrs			
Sound Modules		20 000 hrs			

* First failures at about 35% of average life. Severe vibration may reduce life to 44% of average life.

‡ Flashing applications may reduce life to 50% of average life.

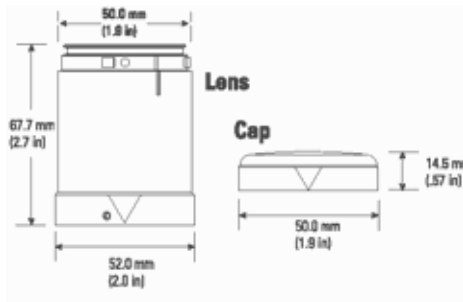
50 mm Control Tower™ Stack Lights

Specifications, Continued/Approximate Dimensions

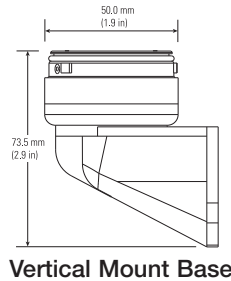
Current Consumption					
Description		12V AC/DC	24V AC/DC	120V AC	240V AC
Light Only Modules	Steady Incandescent	208 mA	271 mA	58 mA	23 mA
	Flashing Incandescent	208 mA	271 mA	58 mA	23 mA
	Steady or Flashing LED	42 mA	29 mA	21 mA	20 mA
	Strobe	95 mA	60 mA	55 mA	30 mA
Sound Modules	Single Tone Sound Module	12 mA	25 mA	33 mA	33 mA
	Two Tone Sound Module				
Flashing Frequency (Light Only Modules)					
Flashing Incandescent Modules		12V module approximately 1.5 Hz 24V, 120V, and 240V modules approximately 2 Hz Time ON/Time OFF = 1:1			
Flashing LED Modules		Flashing frequency approximately 1.5 Hz Time On/Time OFF = 1:1			
Strobe Modules		Flashing frequency approximately 2 Hz (flash duration 1/50,000 second)			
Flashing and Tone frequency (Light Modules/with Sound Set at Continuous Tone)					
Tone Frequency		Tone frequency is preset at 2800 Hz			
Flashing and Tone Pulsing Frequencies (Light Modules/with Sound Set at Pulsing Tone)					
Tone Frequency		Tone Frequency is preset at 2800 Hz			
dB Rating (Sound Modules)					
All dB(A) ratings determined at a distance of 1 meter from sound module					
Single-Tone Sound Module (SA3)		Maximum volume ranges from 88...103 dB(A) (volume adjustable by dipswitch)			
Two-Tone Sound Module (TA3)					
Leakage Current Impact					
All light modules and sound modules are capable of absorbing up to 3 mA of leakage from solid-state outputs without module activation					

Approximate Dimensions

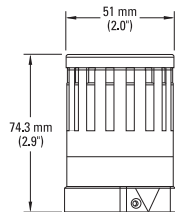
Dimensions in millimeters (inches). Dimensions are not intended to be used for manufacturing purposes.



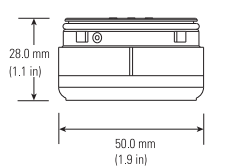
Light Modules



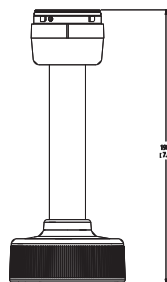
Vertical Mount Base



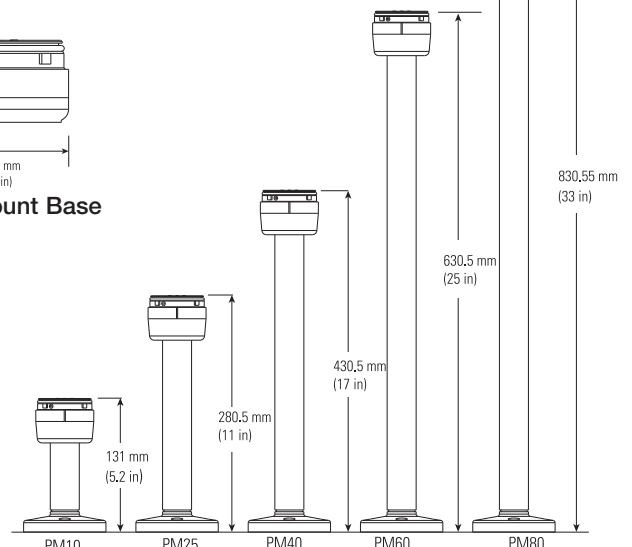
Sound Module



Surface Mount Base



On-Machine Mount Base



Pole Mount Bases

70 mm Control Tower™ Stack Lights

Overview/Product Selection



Bulletin 855T — 70 mm Control Tower™ Stack Lights

- Surface, vertical, or pole mounting
- Light modules - UL Type 4/4X/13, IP65
- Sound modules - piezo and transducer options
- DeviceNet bases available

Standards Compliance

UL 508
 CSA C22.2 No. 14
 EN/IEC 60947-1
 EN/IEC 60947-5-1

Certifications

cULus Listed (File No. E14840,
 Guides NKCR, NKCR7)
 CE Marked

Table of Contents

Light Modules this page
 Combined Light Module with Sounder 11-49
 Sound Modules 11-50
 Stack Light Bases 11-51
 Pre-Assembled Stacks 11-53
 Accessories 11-54
 Specifications 11-56
 Approx. Dimensions . . . 11-61

Light Modules

855T - **B** **10** **FN** **4**
a b c d



Red Flashing Incandescent (Black Housing)

a

Housing Color	
Code	Description
B	Black
G	Grey

b

Voltage	
Code	Description
00	0...250V AC/DC (Use only with Module Code XN)
12	12V AC/DC
24	24V AC/DC
10	120V AC
20	240V AC

c

Module Type	
Code	Description
XN	Steady No-Lamp*
DN	Steady Incandescent
FN	Flashing Incandescent
TL	Steady LED
GL	Flashing LED
RL	Rotating LED, simulated with fixed LEDs‡
BR	Strobe

d

Light Color	
Code	Description
3	Green
4	Red
5	Amber
6	Blue
7	Clear
8	Yellow

* Use only with Voltage Code 00. Accepts LED module or incandescent lamp.

‡ Only available with Voltage Codes 10 or 24, and Color Codes 3, 4, or 5.

Voltage	Color	Illumination Type	Housing Color	
			Black Housing Color Cat. No.*	Grey Housing Color Cat. No.*
0...250V No-Lamp Module	Green	Steady Incandescent/LED	855T-B00XN3	855T-G00XN3
	Red		855T-B00XN4	855T-G00XN4
24V AC/DC	Green	Steady Incandescent	855T-B24DN3	855T-G24DN3
		Flashing Incandescent	855T-B24FN3	855T-G24FN3
		Steady LED	855T-B24TL3	855T-G24TL3
	Red	Steady Incandescent	855T-B24DN4	855T-G24DN4
		Flashing Incandescent	855T-B24FN4	855T-G24FN4
		Strobe	855T-B24BR4	855T-G24BR4
	Amber	Steady Incandescent	855T-B24DN5	855T-G24DN5
		Flashing Incandescent	855T-B24FN5	855T-G24FN5
		Steady LED	855T-B24TL5	855T-G24TL5
		Steady LED	855T-B10DN3	855T-G10DN3
120V AC	Green	Flashing Incandescent	855T-B10FN3	855T-G10FN3
		Steady LED	855T-B10TL3	855T-G10TL3
		Steady Incandescent	855T-B10DN4	855T-G10DN4
	Red	Flashing Incandescent	855T-B10FN4	855T-G10FN4
		Strobe	855T-B10BR4	855T-G10BR4
		Steady LED	855T-B10DN5	855T-G10DN5
	Amber	Flashing Incandescent	855T-B10FN5	855T-G10FN5
		Steady LED	855T-B10TL5	855T-G10TL5

* Refer to configurator options for additional selections.

70 mm Control Tower™ Stack Lights

Product Selection, Continued

Single-Circuit Combined Light Module with Piezo Sounder*

All modules contain a selected light option with a sound device that operates simultaneously. The Piezo-style sound module can be switched to pulsing or continuous sound with a DIP switch. Additionally, the volume can be adjusted to either low: 92 dB(A) or high: 107 dB(A), via a DIP switch. UL Type 4/4X/13, IP65.

Two-Circuit Combined Light Module with Piezo Sounder‡

All modules contain two circuits enabling separate operation of light or sound. The Piezo style sounder can be switched to pulsing or continuous, with a DIP switch. Additionally, the volume can be adjusted to either low: 92 dB(A) or high: 107 dB(A), via a DIP switch. UL Type 4/4X/13, IP65.

855T – **B** **10** **DC** **3**
a b c d



Combination Module

a

Housing Color	
Code	Description
B	Black
G	Grey

b

Voltage	
Code	Description
12	12V AC/DC
24	24V AC/DC
10	120V AC
20	240V AC

c

Combined Module Type	
Code	Description
DC	Steady Incandescent with Sound
DD	Two-Circuit Steady Incandescent with Sound
FC	Flashing Incandescent with Sound
TC	Steady LED with Sound
GC	Flashing LED with Sound
BC	Strobe with Sound

d

Lens Color	
Code	Description
3	Green
4	Red
5	Amber
6	Blue
7	Clear
8	Yellow

Voltage	Illumination Type	Lamp Color	Black Housing Color	Grey Housing Color
			Cat. No.*	Cat. No.*
24V AC/DC	Steady Incandescent	Green	855T-B24DC3	855T-G24DC3
	Steady LED		855T-B24TC3	855T-G24TC3
	Steady Incandescent	Red	855T-B24DC4	855T-G24DC4
	Strobe		855T-B24BC4	855T-G24BC4
	Steady Incandescent	Amber	855T-B24DC5	855T-G24DC5
	Steady LED		855T-B24TC5	855T-G24TC5
120V AC	Steady Incandescent	Green	855T-B10DC3	855T-G10DC3
	Steady LED		855T-B10TC3	855T-G10TC3
	Steady Incandescent	Red	855T-B10DC4	855T-G10DC4
	Strobe		855T-B10BC4	855T-G10BC4
	Steady Incandescent	Amber	855T-B10DC5	855T-G10DC5
	Steady LED		855T-B10TC5	855T-G10TC5
24V AC/DC	Steady Incandescent	Green	855T-B24DD3	855T-G24DD3
		Red	855T-B24DD4	855T-G24DD4
		Amber	855T-B24DD5	855T-G24DD5
120V AC		Green	855T-B10DD3	855T-G10DD3
		Red	855T-B10DD4	855T-G10DD4
	Amber	855T-B10DD5	855T-G10DD5	

* The single-circuit combined light/with sound module uses one circuit in a stack. It can be used with a maximum of four light modules and must be placed in the top position of a stack.

* Refer to configurator options for additional selections.

‡ The two-circuit combined light/with sound module uses two circuits in a stack. It can be used with a maximum of three light modules and must be placed in the top position of a stack.

70 mm Control Tower™ Stack Lights

Product Selection, Continued

Transducer-Style Sound Modules

- UL Type 12, IP54
- Adjustable volume @ from 85...103 dB @ 1 meter
- Up to 15 tones
- Adjustable frequency and speed tone



Sound Module

855T – **B** **10** **SA1**
a *b* *c*

a

Housing Color	
Code	Description
B	Black
G	Grey

b

Voltage	
Code	Description
12	12V AC/DC
24	24V AC/DC
10	120V AC
20	240V AC

c

Module Type	
Code	Description
SA1	Single-Tone Sound Module with 13 different tones*
TA1	Dual-Tone Sound Module with 15 sets of dual-tone combinations*

Voltage	Module Type	Tone	Black Housing Color	Grey Housing Color
			Cat. No.‡	Cat. No.‡
24V AC/DC	Single Tone Transducer Style	Preset as Triangle Tone	855T-B24SA1	855T-G24SA1
	Dual Tone Transducer Style	Preset as Triangle Tone/Continuous Tone	855T-B24TA1	855T-G24TA1
120V AC	Single Tone Transducer Style	Preset as Triangle Tone	855T-B10SA1	855T-G10SA1
	Dual Tone Transducer Style	Preset as Triangle Tone/Continuous Tone	855T-B10TA1	855T-G10TA1

* This module uses one circuit in a stack. It can be used with maximum of any four light modules and must be placed on top of stack.

* This module uses two circuits in a stack. It can be used with a maximum of any three light modules and must be placed on top of stack.

‡ Refer to configurator options for additional selections.

Piezo-Style Sound Modules

- Single- or two-circuit versions
- High/low volume selectable via dip switch

855T – **G** **24** **TA2**
a *b* *c*

a

Housing Color	
Code	Description
B	Black
G	Grey

b

Voltage	
Code	Description
12	12V AC/DC
24	24V AC/DC
10	120V AC
20	240V AC

c

Module Type	
Code	Description
SA2	<ul style="list-style-type: none"> • Single-Tone/Single-Circuit Piezo style Module with continuous or pulsing tones modified by a DIP switch • Type 12 • Volume 97 or 85 dB @ 1 m
TA2	<ul style="list-style-type: none"> • Dual-Tone/Dual-Circuit Piezo style Module with continuous or pulsing tone modified by energizing one or two circuits of sound modules • Type 12 • Volume 97 or 85 dB @ 1 m
SA3	<ul style="list-style-type: none"> • Single-Circuit Piezo Module with continuous or pulsing tones modified by a DIP switch • Type 4/4X/13 • Volume 107 or 92 dB @ 1 m
TA3	<ul style="list-style-type: none"> • Dual-Circuit Piezo Module with continuous or pulsing tone modified by energizing one or two circuits of sound modules • Type 4/4X/13 • Volume 107 or 92 dB @ 1 m

Voltage	Module Type	Tone Pattern	Black Housing Color	Grey Housing Color
			Cat. No.*	Cat. No.*
24V AC/DC	Dual Circuit Piezo Sounder (Type 4/4X/13, IP65)	Pulsing or Continuous Tone	855T-B24TA3	855T-G24SA3
	Single Circuit Piezo Sounder (UL Type 4/4X/13, IP65)		855T-B24SA3	855T-G24SA3
120V AC	Dual Circuit Piezo Sounder (Type 4/4X/13, IP65)	Pulsing or Continuous Tone	855T-B10TA3	855T-G10TA3
	Single Circuit Piezo Sounder (UL Type 4/4X/13, IP65)		855T-B10SA3	855T-G10SA3

* Refer to configurator options for additional selections.



70 mm Control Tower™ Stack Lights

Product Selection, Continued

Standard and DeviceNet Stack Light Bases



Surface-Mount Base with Cap



Vertical-Mount Base with Cap



10 cm Aluminum Pole-Mount Base



25 cm On-Machine Base



40 cm Powder-Coated Stainless Steel Pole-Mount Base



80 cm Powder-Coated Stainless Steel Pole-Mount Base with Cap



Surface-Mount, Conduit-Mount Base with Stranded Wire Cable



10 cm Pole-Mount Base with Micro-Connect Cable and Cap



Vertical-Mount Base with Micro-Connect Cable and Cap

855T - **DL1** **B** **PM10** **C**
a b c d

a

Network Connection Type	
Code	Description
Blank	No Network Connection
DM1	DeviceNet Micro-connect with 1 m Cable*
DS2	DeviceNet Stranded Wire Connect with 2 m Cable*
DL1	DeviceNet Mini-connect with 1 m Cable*

b

Housing Color	
Code	Description
B	Black
G	Grey

c

Base Type	
Code	Description
CB	Surface Mount — 1/2 in. NPT Conduit Mount
SB	Surface Mount — PG16 Conduit Mount
RB	Surface Mount — M20 x 1.5 Conduit Mount
VM	Vertical Mount
TM	25 mm Diameter Tube Mount
PM10	10 cm Aluminum Pole Mount
PM25	25 cm Aluminum Pole Mount
PM40	40 cm Aluminum Pole Mount
SPM10	10 cm Stainless Steel Pole Mount*
SPM25	25 cm Stainless Steel Pole Mount*
SPM40	40 cm Stainless Steel Pole Mount*
SPM60	60 cm Stainless Steel Pole Mount*
SPM80	80 cm Stainless Steel Pole Mount*
MM10	10 cm On-Machine Mount
MM25	25 cm On-Machine Mount
MM40	40 cm On-Machine Mount

d

Cap Option	
Code	Description
Blank	No Cap
C	Cap Included

* DeviceNet bases DL1, DM1, or DS2 can only be used with 24V AC/DC and they are only available with Base Types CB, SB, VM, TM, PM10, or PM25.

* Stainless Steel tube is powder-coated in black.

70 mm Control Tower™ Stack Lights

Product Selection, Continued

Standard Stack Light Bases

Housing Color	Base Type	With Cap Option	Without Cap Option
		Cat. No.*	Cat. No.*
Black	Surface Mount — 1/2 in. NPT Conduit Mount	855T-BCBC	855T-BCB
	Surface Mount — PG16 Conduit Mount	855T-BSBC	855T-BSB
	Surface Mount — M20 x 1.5 Conduit Mount	855T-BRBC	855T-BRB
	Vertical Mount	855T-BVMC	855T-BVM
	10 cm Aluminum Pole Mount	855T-BPM10C	855T-BPM10
	25 cm Aluminum Pole Mount	855T-BPM25C	855T-BPM25
	40 cm Aluminum Pole Mount	855T-BPM40C	855T-BPM40
	25 mm Diameter Tube Mount	855T-BTMC	855T-BTM
	10 cm Stainless Steel Pole Mount	855T-BSPM10C	855T-BSPM10
	25 cm Stainless Steel Pole Mount	855T-BSPM25C	855T-BSPM25
	40 cm Stainless Steel Pole Mount	855T-BSPM40C	855T-BSPM40
	60 cm Stainless Steel Pole Mount	855T-BSPM60C	855T-BSPM60
	80 cm Stainless Steel Pole Mount	855T-BSPM80C	855T-BSPM80
	10 cm On-Machine Mount	855T-BMM10C	—
	25 cm On-Machine Mount	855T-BMM25C	—
40 cm On-Machine Mount	855T-BMM40C	—	

DeviceNet Stack Light Bases

Cable Type	Base Type	Cap Option*	Black Housing Color	Grey Housing Color
			Cat. No.*	Cat. No.*
Micro Connect (approximately 1 m cable length)	Surface Mount — 1/2 in. NPT Conduit Mount	With Cap	855T-DM1BCBC	855T-DM1GCBC
	Surface Mount — PG16 Conduit Mount		855T-DM1BSBC	855T-DM1GSBC
	Vertical Mount		855T-DM1BVMC	855T-DM1GVMC
	10 cm Pole Mount		855T-DM1BPM10C	855T-DM1GPM10C
	25 cm Pole Mount		855T-DM1BPM25C	855T-DM1GPM25C
	25 mm Diameter Tube Mount		855T-DM1BTMC	855T-DM1GTMC
Stranded Wire Connect (approximately 2 m cable length)	Surface Mount — 1/2 in. NPT Conduit Mount		855T-DS2BCBC	855T-DS2GCBC
	Surface Mount — PG16 Conduit Mount		855T-DS2BSBC	855T-DS2GSBC
	Vertical Mount		855T-DS2BVMC	855T-DS2GVMC
	10 cm Pole Mount		855T-DS2BPM10C	855T-DS2GPM10C
	25 cm Pole Mount		855T-DS2BPM25C	855T-DS2GPM25C
	25 mm Diameter Tube Mount		855T-DS2BTMC	855T-DS2GTMC
Mini Connect (approximately 1 m cable length)	Surface Mount — 1/2 in. NPT Conduit Mount		855T-DL1BCBC	855T-DL1GCBC
	Surface Mount — PG16 Conduit Mount		855T-DL1BSBC	855T-DL1GSBC
	Vertical Mount		855T-DL1BVMC	855T-DL1GVMC
	10 cm Pole Mount	855T-DL1BPM10C	855T-DL1GPM10C	
	25 cm Pole Mount	855T-DL1BPM25C	855T-DL1GPM25C	
	25 mm Diameter Tube Mount	855T-DL1BTMC	855T-DL1GTMC	

* See previous page for all configurator options.

* All bases except for On-Machine bases, can be purchased without cap. Remove the "C" from the end of the cat. no.



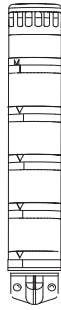
70 mm Control Tower™ Stack Lights

Product Selection, Continued

Pre-Assembled Control Tower Lights, One to Five Modules



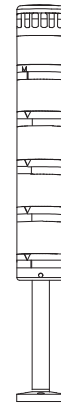
Surface Mount



Vertical Mount



10 cm Pole Mount



25 cm Pole Mount

Level 5
Level 4
Level 3
Level 2
Level 1

855 **TS** - **DL1** **B** **24** **Y** **4** **L** **5** **B** **3** **F** **7** **Y** **6**

a *b* *c* *d* *e* *f* *e* *f* *e* *f* *e* *f* *e* *f*

(Level 1)
e+f

(Level 2)
e+f

(Level 3)
e+f

(Level 4)
e+f

(Level 5)
e+f

a

Base Type	
Code	Description
TC	Surface Mount 1/2 in NPT Conduit
TS	Surface Mount PG16 Conduit
TV	Vertical Mount
TP	10 cm Pole Mount
TE	25 cm Pole Mount
TM	25 mm Diameter Tube Mount

d

Voltage	
Code	Description
12	12V AC/DC
24	24V AC/DC
10	120V AC
20	240V AC

f

Lens Color	
Code	Description
1	Sound Module†
3	Green
4	Red
5	Amber
6	Blue
7	Clear
8	Yellow

b

Network Options	
Code	Description
Blank	Standard
DL1	DeviceNet Mini-Connect with 1 m Cable*
DM1	DeviceNet Micro-connect with 1 m Cable*
DS2	DeviceNet Stranded Wire Connect with 2 m Cable*

e

Module Type	
Code	Description
D	Steady Incandescent
F	Flashing Incandescent
Y	Steady LED
L	Flashing LED
B	Strobe
T	Steady Incandescent with Sound*
H	Flashing Incandescent with Sound*
J	Dual-Circuit Steady Incandescent with Sound
E	Steady LED with Sound*
G	Flashing LED with Sound*
Z	Strobe with Sound*
A	Transducer Single-Circuit Sounder UL Type 12, IP54*
W	Transducer Dual-Circuit Sounder UL Type 12, IP54*
P	Single-Circuit Piezo Alarm
Q	Dual-Circuit Piezo Alarm

c

Housing Color	
Code	Description
B	Black
G	Grey




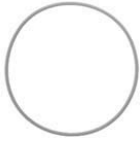


* DeviceNet bases DL1, DM1, or DS2 can only be used with 24V AC/DC.

* Only one sound module or light module/with sound can be assembled per stack. These modules must always be placed in the top position.











† Sound module from Table f can only be selected with single-tone or two-tone module types from Table e.

70 mm Control Tower™ Stack Lights

Accessories

		Description	Cat. No.	
 <p>(BA15d Bayonet) — 19 mm socket height</p>	Incandescent Lamps			
		12V AC/DC	855T-L12	
		24V AC/DC	855T-L24	
		120V AC	855T-L10	
		240V AC	855T-L20	
	LED Lamps for Socket-Mounted Modules		Color	Cat. No.
	12V AC/DC		Red	855E-LL12R
			Green	855E-LL12G
			Amber	855E-LL12A
			Blue	855E-LL12B
			Yellow	855E-LL12Y
		White*	855E-LL12W	
	24V AC/DC		Red	855E-LL24R
			Green	855E-LL24G
			Amber	855E-LL24A
			Blue	855E-LL24B
			Yellow	855E-LL24Y
		White*	855E-LL24W	
	120V AC		Red	855E-LL10R
			Green	855E-LL10G
			Amber	855E-LL10A
			Blue	855E-LL10B
			Yellow	855E-LL10Y
		White*	855E-LL10W	
	240V AC		Red	855E-LL20R
		Green	855E-LL20G	
		Amber	855E-LL20A	
		Blue	855E-LL20B	
		Yellow	855E-LL20Y	
	White*	855E-LL20W		
	Caps (top of stack)		Color	Cat. No.
	<p>The cap is installed to the top of the uppermost light module. No cap is needed if the top module is a sound module, or a light/with sound module.</p>	For Use With 855E Only	Black	855E-ABCAP
			Grey	855E-AGCAP
		For Use With 855T Only	Black	855T-ABCAP
Grey			855T-AGCAP	
Module Securing Screws (Bag of 5)	For Use With 855E Only	855E-ASC		
	Gaskets	For Use With 855E Only	855E-ALSG	
	<p>Lens O-Ring Seal Replacement rubber O-rings are to be installed between all bases, light, sound, and light/with sound modules.(Package quantity = 5)</p>	For Use With 855T Only	855T-ALSG	
	<p>Surface Mount Gasket Replacement flat gasket is to be placed between the mounting surface and the surface mount base.(Package quantity = 5)</p>	For Use With 855E Only SB, RB, & CB Bases	855E-ASFG	
		For Use With 855T Only BSB & BCB Bases	855T-ASFG	
	<p>Pole Foot Gasket Replacement flat gasket is to be placed between the mounting surface and the pole base bottom foot. (Must order multiples of 5.) To be used with Cat. No. 855T-BPM10, 855T-BPM25, and 855T-BPM40 pole bases.</p>	855T-APFG		

* White LED lamps are to be used with a lens option of Clear.

	Description	Cat. No.
	Gaskets	
	Vertical Mount Gasket Replacement flat gasket is to be placed between the mounting surface and the vertical mount base.(Package quantity = 5)	855T-AVFG
	Tube Mount Gasket Replacement O-ring gasket is to be placed in the tube mount pole opening before the tube is installed (BTM- and GTM- type bases).(Package quantity = 5)	855T-AVVG
	Mounting Screw Washer Kit Replacement flat washers are used to provide a seal where the mounting screw meets the pole base. (1 kit includes 20 pieces)(Package quantity = 20)	855T-AMSG
	Pole Connection Boxes*	Cat. No.
	Black Surface Mount with PG16 Threaded Side Entrance	855T-BSMP
	Black Surface Mount with M20 Threaded Side Entrance	855T-BSMR
	Black Surface Mount with 1/2 in. NPT Threaded Side Entrance	855T-BSMN
	Black Vertical Mount with PG16 Side Entrance	855T-BVMP
	Black Vertical Mount with M20 Side Entrance	855T-BVMR
	Black Magnetic Mount with PG16 Threaded Side Entrance	855T-BMMP
	Black Magnetic Mount with M20 Threaded Side Entrance	855T-BMMR
	Black Magnetic Mount with 1/2 in. NPT Threaded Side Entrance	855T-BMMN
	Black PG16 Threaded Hole Plug	855T-ABUP
	Black M20 Threaded Hole Plug	855T-ABUR
	Black PG16 Threaded Cable Gland	855T-ABCP
	Black M20 Threaded Cable Gland	855T-ABCR
	Black 1/2 in. NPT Sealing Connector	855T-ABHN
	Mounting Screws (M5 x 40 screws) for mounting Pole Mount Base to Pole Connection Box (Package quantity = 4)	855T-AJBS
	Vertical Mount Kit Kit includes vertical bracket and set of three sealing washers. For use with 855E surface mount base.	855E-AVM
	Vertical Mount Kit Kit includes vertical bracket and set of three sealing washers. For use with 855T and 855E pole mount base and for use with 855T surface mount base.	855T-AVM

* For use with 855E and 855T pole mount bases, except for stainless steel and On-Machine types.

70 mm Control Tower™ Stack Lights

Specifications

		Mechanical Ratings		
Shock and Vibration		Based on the weight and style of mounting; tower lights are subject to damage from shock and vibration. Listed below are reference guidelines for maximum acceptable conditions.		
		1 Module Stack	3 Module Stack	5 Module Stack
Standard Bases	Surface Mount Base or 10 cm Aluminum Pole Base	150 G Shock 5 G Vibration	45 G Shock 1.5 G Vibration	35 G Shock 0.75 G Vibration
	Vertical Base or 25 cm Aluminum Pole Base	95 G Shock 3.5 G Vibration	30 G Shock 1.25 G Vibration	20 G Shock 0.5 G Vibration
DeviceNet Bases	Surface Mount Base or 10 cm Aluminum Pole Base	50 G Shock 5 G Vibration	45 G Shock 1.5 G Vibration	35 G Shock 0.75 G Vibration
	Vertical Base or 25 cm Aluminum Pole Base	50 G Shock 3.5 G Vibration	30 G Shock 1.25 G Vibration	20 G Shock 0.5 G Vibration
Recommended Wire Sizes		0.5...2.5 mm ² (22...14 AWG)		
Recommended Terminal Torque		0.8 N•m (7 lb•in)		
		Environmental Ratings		
Ingress Ratings	Light Modules with Cap and combined Light/Sound Modules	IP65/UL Type 4/4X/13		
	Sound Modules (SA1, SA2, TA1, TA2)	IP54/UL Type 12		
	Sound Modules (SA3, TA3)	IP65/UL Type 4/4X/13		
	Surface, Vertical, Tube Mount and On- Machine Bases	IP65/UL Type 4/4X/13		
	Pole Mount Bases (Aluminum)	IP65/UL Type 4/13		
	Pole Mount Bases (Stainless Steel)	IP65/UL Type 4/4X/13		
Temperature Ratings — All Products	Operating Temperature	-25...+70 °C (-13...+158 °F)		
	Storage Temperature	-40...+85 °C (-40...+185 °F)		
		Materials		
Bases, Caps, Lens Covers, Sound Module Housings, Lenses, Lamp Sockets		Polycarbonate		
Rubber Seals and Gaskets		Nitrile Rubber		
Pole (for aluminum pole assembly)		Aluminum		
Pole Base Footing (for aluminum pole base)		Polycarbonate		
Pole (for stainless steel pole assembly)		Powder-coated Stainless Steel		
Pole Base Footing (for stainless steel pole base)		Zinc		
Insulation Sleeve (for pole insulation)		Polyolefin		
Surface and Vertical Mount Pole Connection Box and Magnetic Mount Housing		Polycarbonate		
Mounting Screw Washers		Polypropylene		
DeviceNet Base Grommet		Neoprene		
DeviceNet Cable Jackets		CPR Chlorinated Polyethylene		
DeviceNet Cable Connectors		Santoprene		

70 mm Control Tower™ Stack Lights

Specifications, Continued

Performance Ratings					
Description		12V AC/DC	24V AC/DC	120V AC	240V AC
Light Output	Steady Incandescent	0.5 MSCP 6.3 Lumens	2.5 MSCP 31.4 Lumens	3.0 MSCP 37.7 Lumens	0.49 MSCP 6.2 Lumens
	Flashing Incandescent	0.5 MSCP 6.3 Lumens	2.5 MSCP 31.4 Lumens	3.0 MSCP 37.7 Lumens	0.49 MSCP 6.2 Lumens
	Strobe	1.5 Joules per lamp			
	Steady, Flashing Socket Mount LED Red	900...2240 mcd			
	Steady, Flashing Socket Mount LED Green	900...1800 mcd			
	Steady, Flashing Socket Mount LED Amber	1400...3550 mcd			
	Steady, Flashing Socket Mount LED Blue	224...560 mcd			
	Steady, Flashing Socket Mount LED White and Yellow	900...1800 mcd			
Operating Voltage					
Description		12V AC/DC	24V AC/DC	120V AC	240V AC
Light Modules and Sound Modules		12V AC/DC (± 10%)	24V AC/DC (± 10%)	110V AC 50Hz (± 10%) 120V AC 60Hz (± 10%)	230V AC 50 Hz (± 10%) 240V AC 60 Hz (± 10%)
Lamp Life Ratings (Design Life) Average Life Under Static, No Vibration, Conditions					
Description		12V AC/DC	24V AC/DC	120V AC	240V AC
Incandescent Modules*‡		8 000 hrs	7 000 hrs	3 000 hrs	1 600 hrs
LED Modules		100 000 hrs			
Strobe Modules		15 000 hrs			
Sound Modules		20 000 hrs			

* First failures at about 35% of average life. Severe vibration may reduce life to 44% of average life.

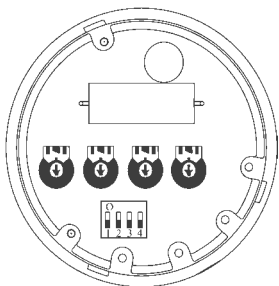

‡ Flashing applications may reduce life to 50% of average life.

70 mm Control Tower™ Stack Lights

Specifications, Continued

Current Consumption					
Description	12V AC/DC	24V AC/DC	120V AC	240V AC	
Light Only Modules	Steady Incandescent	208 mA	271 mA	58 mA	23 mA
	Steady or Flashing LED	42 mA	29 mA	21 mA	20 mA
	Strobe	240 mA	170 mA	50 mA	35 mA
Light Modules/with Sound	Steady Incandescent/with Sound	218 mA	281 mA	78 mA	43 mA
	Flashing Incandescent/with Sound	218 mA	281 mA	78 mA	43 mA
	Steady or Flashing LED/with Sound (Red, Amber, Yellow)	100 mA	62 mA	22.5 mA	20 mA
	Flashing Incandescent/with Sound	65 mA	35 mA	22.5 mA	20 mA
	Steady or Flashing LED/with Sound (Green, Blue, White)	250 mA	180 mA	70 mA	55 mA
Transducer Style Sound Modules	Single and Two Circuit Modules	30 mA	65 mA	110V/50 Hz 120V/60 Hz 60 mA	230V/50 Hz 240V/60 Hz 60 mA
Piezo Style Sound Modules	Single and Two Circuit Modules	27 mA	45 mA	43 mA	40 mA
DeviceNet Bases		—	70 mA	—	—
Flashing Frequency (Light Only Modules)					
Flashing Incandescent Modules	12V module approximately 1.5 Hz 24V, 120V, and 240V modules approximately 2 Hz Time ON/Time OFF = 1:1				
Flashing LED Modules	Flashing frequency approximately 1.5 Hz Time ON/Time OFF = 1:1				
Strobe Modules	Flashing frequency approximately 2 Hz (flash duration 1/50,000 second)				
Flashing and Tone Frequency (Light Modules/with Sound Set at Continuous Tone)					
Tone Frequency	Tone frequency is preset at 2400 Hz or 3300 Hz				
Flashing Incandescent/with Sound	12V module approximately 1.5 Hz 24V, 120V, and 240V modules approximately 1.6 Hz				
Flashing LED/with Sound	Flashing frequency approximately 1.5 Hz				
Strobe/with Sound	Flashing frequency approximately 1.4 Hz				
Flashing and Tone Pulsing Frequencies (Light Modules/with Sound Set at Pulsing Tone)					
Tone Frequency	Tone frequency is preset at 2400 Hz or 3300 Hz				
Steady Incandescent/with Sound	Sound Pulsing Frequency — 1.5 Hz				
Flashing Incandescent/with Sound	Flashing and Pulsing Frequency the same for 12V module approximately 1.5 Hz, for 24V, 120V, and 240V modules approximately 1.6 Hz				
LED Steady/with Sound	Sound Pulsing Frequency — 1.5 Hz				
LED Flashing/with Sound	Flashing and Pulsing Frequency the same at 1.5 Hz				
Strobe/with Sound	Flashing and Pulsing Frequency the same at 1.4 Hz				
dB Rating (Sound Modules)					
All dB(A) ratings determined at a distance of 1 meter from sound module					
Selectable Tone Sound Module (SA1, TA1)	Maximum volume ranges from 64...103 dB(A) (volume adjustable) Based on tone selected for all settings except signal horn which has a maximum of 80 dB(A)				
Piezo Sound Module (SA2, TA2)	High 97 dB / Low 85 dB, selectable via dip switch				
Piezo Sound Module (SA3, TA3)	High 107 dB / Low 95 dB, selectable via dip switch				
Piezo Light Modules and Light Modules/with Sound (set at continuous or pulsing tone)	High 107 dB / Low 95 dB, selectable via dip switch				
Leakage Current Impact					
All light modules, sound modules, and light/sound modules are capable of absorbing up to 3 mA of leakage current from solid-state outputs without module activation. Some light and light modules with sound may not turn off completely when connected to solid-state outputs which emit leakage current. Listed below are modules that were affected by an output module emitting a maximum of 3 mA. A dry contact can be used to eliminate the effect of leakage current.					
12V AC/DC, 24V AC/DC, 120V AC, 240V AC	All light/sound combination modules				
DeviceNet Bases					
Baud Rate Options	125 K, 250 K, 500 K, Autobaud				

Transducer Style Single Circuit Sound Module (SA1)

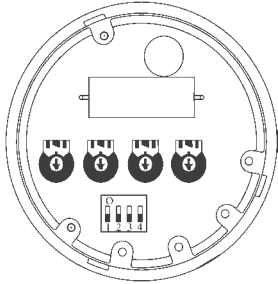
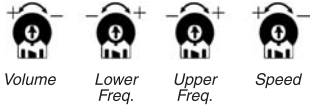
	Dip Switch Position	Tone Description	Speed	Upper Frequency	Lower Frequency	Volume	
 <p>Adjustable Sound Settings</p>		Triangle Tone		7...22 Hz	1500 Hz	500 Hz	80... 100 dB(A)
		Continuous Tone		—	*	500 Hz	83... 100 dB(A)
		Interrupted Tone		0.5... 1.5 Hz	*	500... 1500 Hz	83... 103 dB(A)
		Changing Tone		0.5... 1.5 Hz	500... 1500 Hz	500... 1500 Hz	83... 103 dB(A)
		Saw Tooth Tone Ascending		0.5... 1.5 Hz	500... 1500 Hz	500... 1500 Hz	83... 103 dB(A)
		Saw Tooth Tone Descending		0.5... 1.5 Hz	500... 1500 Hz	500... 1500 Hz	83... 103 dB(A)
	 <p>Rotated View of Sound Settings</p>		Sine Wave Tone		0.5... 1.5 Hz	500... 1500 Hz	500... 1500 Hz
		DIN-Emergency Signal	DIN 33404	1 Hz	1200 Hz	500 Hz	82... 102 dB(A)
		Siren (Non-Repeating)		2...4 s	1500 Hz	500 Hz	83... 103 dB(A)
		Signal Horn Continuous Tone		—	*	100... 350 Hz	64... 80 dB(A)
		Three-Tone Gong		2...4 s	660 Hz 550 Hz 440 Hz		76... 95 dB(A)
		Two-Tone Gong		2...3 s	550 Hz 440 Hz		75... 93 dB(A)
		Gong		1...3 s	*	500... 1500 Hz	75... 93 dB(A)

* Set to maximum (+).

70 mm Control Tower™ Stack Lights

Specifications, Continued

Transducer Style Dual Circuit Sound Module (TA1)

	Dip Switch Position	Tone A		Tone B	
 <p>Adjustable Sound Settings</p>		Triangle Tone		Continuous Tone	
		Continuous Tone		Changing Tone	
		Continuous Tone		Interrupted Tone	
		Interrupted Tone		Three-Tone Gong	
		Interrupted Tone		Siren (Non-Repeating)	
		Changing Tone		DIN-Emergency Signal	DIN 33404
		Saw Tooth Tone Ascending		Continuous Tone	
		Saw Tooth Tone Descending		Interrupted Tone	
		Sine Wave Tone		DIN-Emergency Signal	DIN 33404
		DIN-Emergency Signal	DIN 33404	Three-Tone Gong	
 <p>Rotated View of Sound Settings</p>		Siren (Non-Repeating)		Triangle Tone	
		Signal Horn (Continuous Tone)		Continuous Tone	
		Three-Tone Gong		Sine Wave Tone	
		Two-Tone Gong		Two-Tone Gong (Non-Repeating)	
		Gong		Continuous Tone	

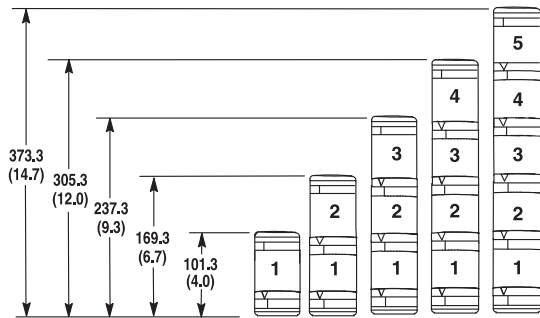
70 mm Control Tower™ Stack Lights

Approximate Dimensions

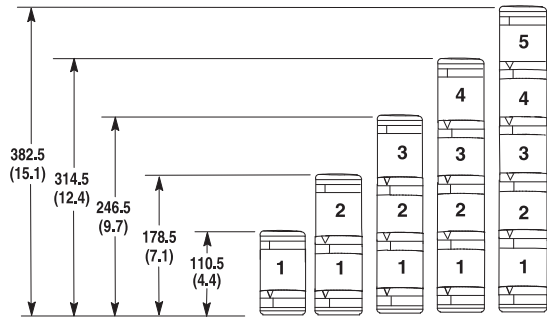
Dimensions in millimeters (inches). Dimensions are not intended to be used for manufacturing purposes.

Assembled Control Tower Lights — Light Modules Only or Light Modules with Sound Module located on top position*

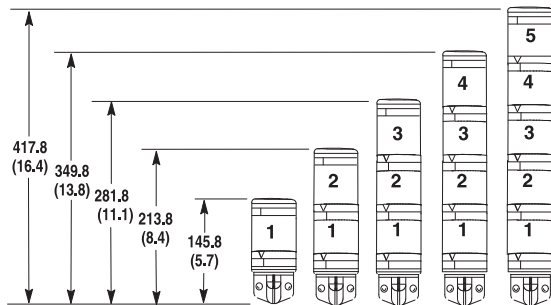
Surface Mount Base (SB and CB)



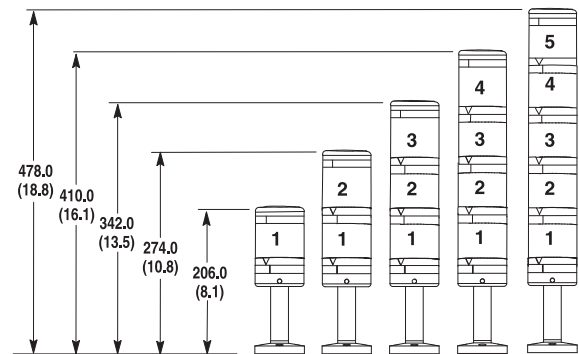
Tube Mount Base (TM)



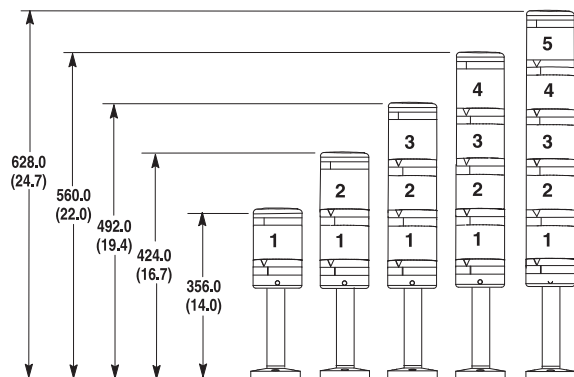
Vertical Mount Base (VM)



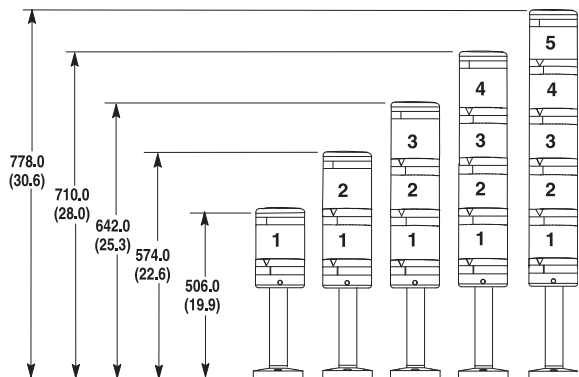
10 cm Pole Mount Base (PM10, SPM25)



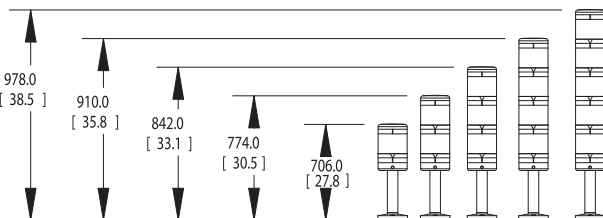
25 cm Pole Mount Base (PM25, SPM25)



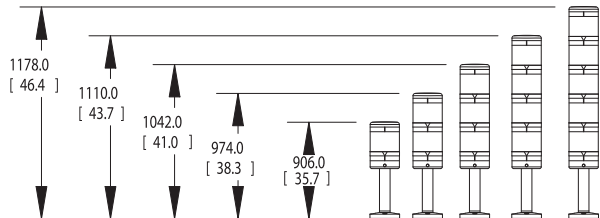
40 cm Pole Mount Base (PM40, SPM40)



60 cm Pole Mount Base (SPM60)



80 cm Pole Mount Base (SPM80)



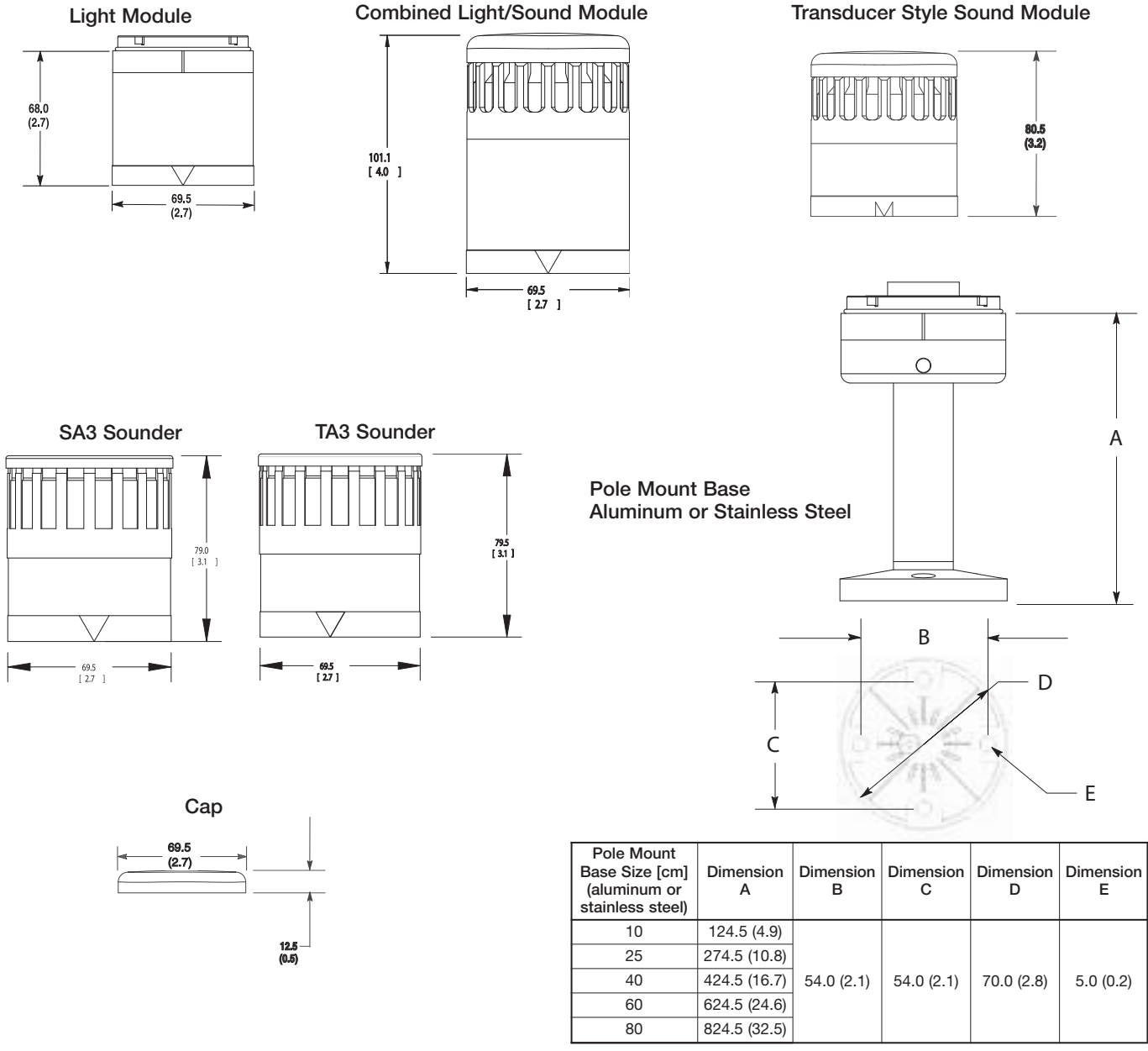
*If a combined Light/Sound module is used, add 21.5 mm (0.8 in.) to vertical dimensions.

70 mm Control Tower™ Stack Lights

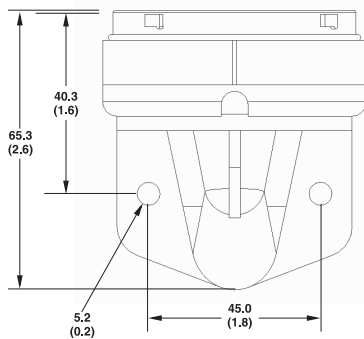
Approximate Dimensions, Continued

Dimensions in millimeters (inches). Dimensions are not intended to be used for manufacturing purposes.

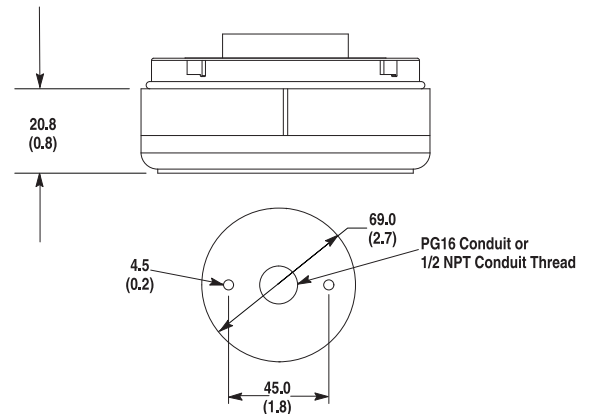
Component and Accessory Dimensions



Vertical Mount Base



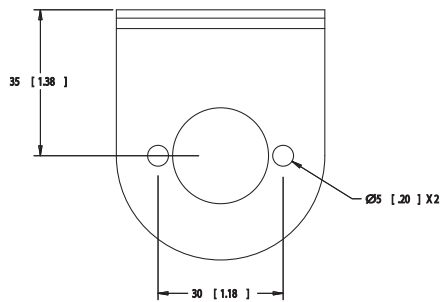
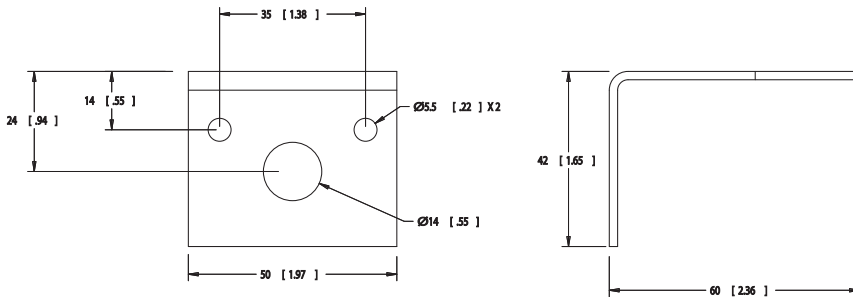
Surface Mount Base - 855T-BSB or 855T-BCB



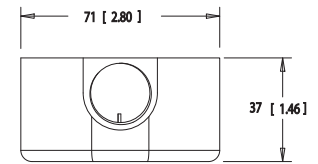
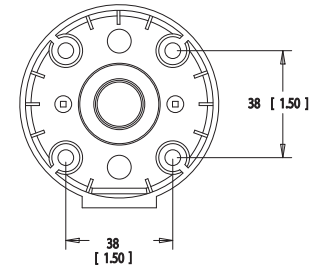
Dimensions in millimeters (inches). Dimensions are not intended to be used for manufacturing purposes.

Accessory Dimensions, Continued

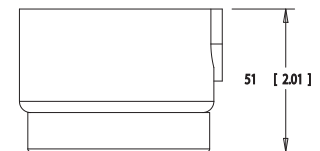
855E-AVM Vertical Mount Bracket



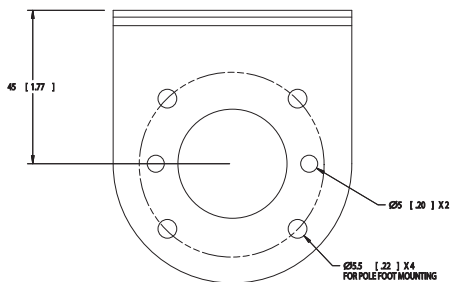
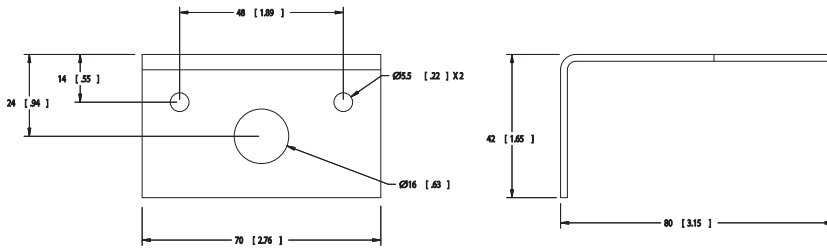
Standard Pole Connection Box



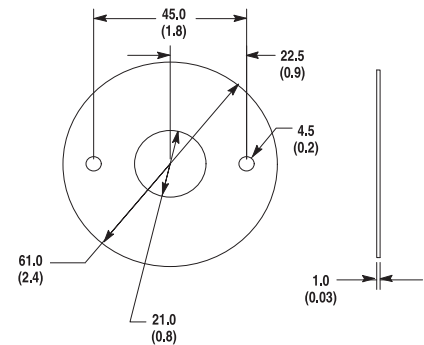
Magnetic Pole Connection Box



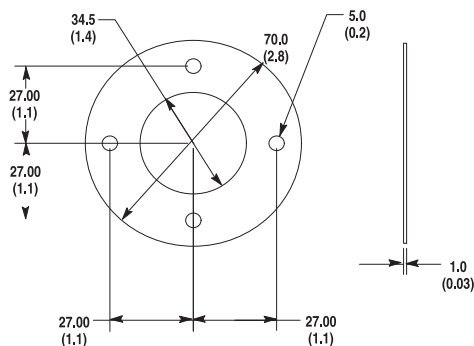
855T-AVM Vertical Mount Bracket



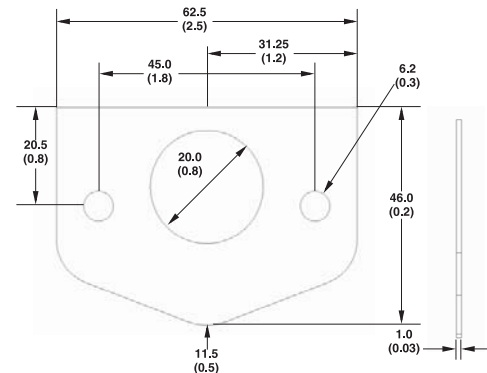
Surface Mount Gasket



Pole Mount Gasket




Vertical Mount Gasket



Hazardous Location Horns and Beacons

Product Overview

				
Bulletin	855XH	855XB	855XC	855XL
Type	Alarm Horn Sounders	Xenon Strobe Beacons	Combined Horn Sounder and Strobe Beacon	Public Address Loudspeakers
Voltages Available	10...30V DC, 48V DC, 115...120V AC 50/60 Hz, 220...230V AC 50/60 Hz	12V DC, 24V DC, 48V DC, 115...120V AC 50/60 Hz, 220...230V AC 50/60 Hz	24V DC, 48V DC, 115...120V AC 50/60 Hz, 220...230V AC 50/60 Hz	—
Illumination Type	—	Strobe 5 or 10 Joule	Strobe 5 Joule	—
Flash Rate	—	1 Hz		—
Lens Colors Available	—	Red, Green, Amber, Blue, Yellow, Clear	Red, Green, Amber, Blue, Yellow, Clear	—
Environmental Rating	NEMA Type 4/4X/13, IP66/67			
Operating Temp Range	-20...+55 °C			
Sound Output Level	110...117 dB	—	110 dB	—
Horn Tones	45 selectable tones, 3 stages	—	45 selectable tones, 3 stages	—
Cover, Base, and Beacon Housing Material	PPS Glass-Filled Plastic	PPS Glass-Filled Plastic Beacon Lens: Glass	PPS Glass-Filled Plastic Beacon Lens: Glass	PPS Glass-Filled Plastic
Certifications	cULus Listed, CE Marked			
Product Selection	Page 11-65	Page 11-65	Page 11-66	Page 11-66

Hazardous Location Horns and Beacons

Product Selection, Continued

Combined Horn Sounder & Strobe Beacon

855XC – BN / A10 / B / 3

a *b* *c* *d*



<i>a</i>		<i>b</i>		<i>c</i>		<i>d</i>	
Product Type		Voltage		Beacon Type		Lens Color	
Code	Description	Code	Description	Code	Description	Code	Description
BN	1/2 in. NPT Conduit Entrance, Black Housing	D24	24V DC	A	Xenon Strobe - 5 J, 110 dB @ 1 m, 45 Tones, 3 Stages	3	Green
		D48	48V DC			4	Red
		A10	115...120V AC			5	Amber
		A20	220...230V AC			6	Blue
						7	Clear
						8	Yellow

Beacon Type	Supply Voltage	Beacon Lens Color	Cat. No.
Xenon 5 J, 110 dB at 1 m, 45 selectable tones, 3 stages	24V DC	Green	855XC-BND24A3
		Red	855XC-BND24A4
		Amber	855XC-BND24A5
	115 V AC	Green	855XC-BNA10A3
		Red	855XC-BNA10A4
		Amber	855XC-BNA10A5

Public Address Loudspeakers

855XL – BN / 70 / A

a *b* *c*

<i>a</i>		<i>b</i>		<i>c</i>	
Product Type		Power Selection - Transformer		Power Handling	
Code	Description	Code	Description	Code	Description
BN	1/2 in. NPT Conduit Entrance, Black Housing	70	70V Line (Tappings: 15 W, 7.5 W, 3 W, 1 W)	A	15 W RMS
		100	100V Line (Tappings: 15 W, 7.5 W, 3 W, 1 W)		
		8R	8 Ohm		
		16R	16 Ohm		

Power Handling	Power Selection	Cat. No.
15 W RMS	70V Line (Tappings: 15W 7.5W 3W 1W)	855XL-BN70A
	8 Ohm	855XL-BN8RA
	16 Ohm	855XL-BN16RA

Hazardous Location Horns and Beacons Specifications

Device	855XH Horn	855XB Beacon	855XC Horn-Beacon Combination	855XL PA Loudspeaker	
Mechanical Ratings					
Shock	30 G Peak				
Vibration	2 G Peak				
Environmental Ratings					
Ingress Ratings	IP66/67 and UL Type 4/4X13, IP 66/67				
Temperature Ranges	Operating	-4...+131 °F (-20...+55 °C)			
	Storage	-4...+167 °F (-20...+75 °C)			
Materials					
Covers	PPS Glass-Filled Plastic				
Bases	PPS Glass-Filled Plastic				
Mounting Bracket	Stainless Steel 304 (A2)				
Gaskets	Viton				
Beacon Lens	Glass				
Beacon Housing	PPS Glass-Filled Plastic				
Performance Ratings					
Sound Output	dB @ 1 meter	110 or 117 dB	N/A	110 dB	N/A
Xenon Lamp Rating	N/A		5 or 10 Joules	5 Joules	N/A
Flashing Frequency	N/A		1 Hz	1 Hz	N/A

Operating Ratings (Voltage and Current Consumption)						
Device	Input Voltages	12V AC/DC	24V AC/DC	48V DC (Max. I/P Volts)	10V AC 50/60 Hz	230V AC 50/60 Hz
855XH Horn 110 dB @ 1 m	DC Units: 10...30V or 48V	—	284 mA (30V)	146 mA (58V)	—	—
	AC Units: 120V or 230V 50/60Hz	—	—	—	104 mA (132V)	54 mA (253V)
855XH Horn 117 dB @ 1 m	DC Units: 10...30V or 48V	—	280 mA (30V)	215 mA (58V)	—	—
	AC Units: 120V or 230V 50/60Hz	—	—	—	142 mA (132V)	76 mA (253V)
855XB Beacon 5 Joules	DC Units: 12 or 24V or 48V	520 mA (15V)	275 mA (30V)	145 mA (58V)	—	—
	AC Units: 120V or 230V 50/60Hz	—	—	—	80 mA (132V)	30 mA (253V)
855XB Beacon 10 Joules	DC Units: 24V or 48V	—	560 mA (30V)	260 mA (58V)	—	—
	AC Units: 120V or 230V 50/60Hz	—	—	—	185 mA (132V)	107 mA (253V)
855XC Combined Horn (110 dB @ 1 m) and Strobe Beacon (5 Joules)	Horn Section DC Units: 24V or 48V	—	284 mA (30V)	146 mA (58V)	—	—
	Horn Section AC Units: 120V or 230V 50/60Hz	—	—	—	104 mA (132V)	54 mA (253V)
	Beacon Section DC Units: 24V or 48V	—	275 mA (30V)	145 mA (58V)	—	—
	Beacon Section AC Units: 120V or 230V 50/60Hz	—	—	—	80 mA (132V)	30 mA (253V)

Operating Ratings				
Device	Impedance	Input	Wattage	Max. I/P Volts
855XL PA Loudspeaker *	8 Ω	8 Ω	15 W	10.95V
	16 Ω	16 Ω	15 W	15.49V
	100V Line	100V Line	15 W	100V
	70V Line	70V Line	15 W	70V

* **Power Amplifier Selection:** It is important that loudspeakers are connected to power amplifiers that have outputs compatible to the type of loudspeaker being used. Loudspeakers with a 70V or 100V line-matching transformer fitted must be connected to a power amplifier with a 70V or 100V line output. Low-impedance 8 Ω or 16 Ω loudspeakers must be connected to amplifiers with a suitable low-impedance output.

Temperature Ratings			
Device	Hazardous Location	Code (Max. Operating Temperature) @ 55 °C Ambient	Code (Max. Operating Temperature) @ 40 °C Ambient
855XB- 5 Joule Beacon	Class I, Division 2, Groups A, B, C, D	T2D (215 °C)	T3 (200 °C)
	Class II, Division 2, Groups F and G	T5 (100 °C)	T6 (85 °C)
	Class III, Divisions 1 and 2	T5 (100 °C)	T6 (85 °C)
855XB- 10 Joule Beacon	Class I, Division 2, Groups A, B, C, D	T2A (280 °C)	—
	Class II, Division 2, Groups F and G	T4A (120 °C)	T5 (100 °C)
	Class III, Divisions 1 and 2	T4A (120 °C)	T5 (100 °C)
855XH- 110 dB Sounder	Class I, Division 2, Groups A, B, C, D	T3C (160 °C)	T4 (135 °C)
	Class II, Division 2, Groups F and G	T6 (85 °C)	—
	Class III, Divisions 1 and 2	T6 (85 °C)	—
855XH- 117 dB Sounder	Class I, Division 2, Groups A, B, C, D	T3C (160 °C)	T4 (135 °C)
	Class II, Division 2, Groups F and G	T6 (85 °C)	—
	Class III, Divisions 1 and 2	T6 (85 °C)	—
855XC- Sound/Strobe Combination	Class I, Division 2, Groups A, B, C, D	T2D (215 °C)	T3 (200 °C)
	Class II, Division 2, Groups F and G	T5 (100 °C)	T6 (85 °C)
	Class III, Divisions 1 and 2	T5 (100 °C)	T6 (85 °C)
855XL- Loudspeaker	Class I, Division 2, Groups A, B, C, D	T4 (135 °C)	T4A (120 °C)
	Class II, Division 2, Groups F and G	T6 (85 °C)	—
	Class III, Divisions 1 and 2	T6 (85 °C)	—

Hazardous Location Horns and Beacons

Specifications, Continued

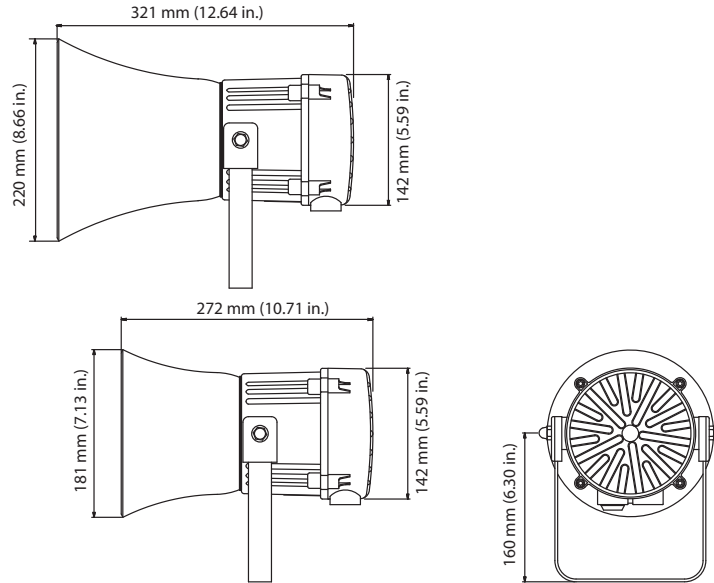
Tone Selection Table for 855XH and 855XC units									
Stage 1	Frequency Description	Switch						Stage 2	Stage 3
		1	2	3	4	5	6		
1	340 Hz, Continuous	0	0	0	0	0	0	Tone 2	Tone 5
2	800/1000 Hz @ 0.25 s, Alternating	1	0	0	0	0	0	Tone 17	Tone 5
3	500/1200 Hz @ 0.3 Hz s, Slow Whoop	0	1	0	0	0	0	Tone 2	Tone 5
4	800/1000 Hz @ 1 Hz, Sweeping	1	1	0	0	0	0	Tone 6	Tone 5
5	2400 Hz, Continuous	0	0	1	0	0	0	Tone 3	Tone 20
6	2400/2900 Hz @ 7 Hz, Sweeping	1	0	1	0	0	0	Tone 7	Tone 5
7	2400/2900 Hz @ 1 Hz, Sweeping	0	1	1	0	0	0	Tone 10	Tone 5
8	500/1200/500 Hz @ 0.3 Hz, Sweeping	1	1	1	0	0	0	Tone 2	Tone 5
9	1200/500 Hz @ 1 Hz, - DIN PFEER P.T.A.P.	0	0	0	1	0	0	Tone 15	Tone 2
10	2400/2900 Hz @ 2 Hz, Alternating	1	0	0	1	0	0	Tone 7	Tone 5
11	1000 Hz @ 1 Hz, Intermittent	0	1	0	1	0	0	Tone 2	Tone 5
12	800/1000 Hz @ 0.875 Hz, Alternating	1	1	0	1	0	0	Tone 4	Tone 5
13	2400 Hz @ 1 Hz, Intermittent	0	0	1	1	0	0	Tone 15	Tone 5
14	800 Hz, 0.25 s ON, 1 s OFF, Intermittent	1	0	1	1	0	0	Tone 4	Tone 5
15	800 Hz, Continuous	0	1	1	1	0	0	Tone 18	Tone 5
16	660 Hz, 150 ms ON, 150 ms OFF, Intermittent	1	1	1	1	0	0	Tone 2	Tone 27
17	544 Hz (100 ms)/440 Hz (400 ms), - NF S 32-001	0	0	0	0	1	0	Tone 2	Tone 5
18	660 Hz, 1.8 s ON, 1.8 s OFF, Intermittent	1	0	0	0	1	0	Tone 2	Tone 5
19	1.4 kHz...1.6 kHz 1s, 1.6 kHz...1.4 kHz 0.5 s, - NFC48-265	0	1	0	0	1	0	Tone 2	Tone 5
20	660 Hz, Continuous	1	1	0	0	1	0	Tone 2	Tone 5
21	554 Hz/440 Hz @ 1 Hz, Alternating	0	0	1	0	1	0	Tone 2	Tone 5
22	544 Hz @ 0.875 s, Intermittent	1	0	1	0	1	0	Tone 2	Tone 5
23	800 Hz @ 2 Hz, Intermittent	0	1	1	0	1	0	Tone 6	Tone 5
24	800/1000 Hz @ 50 Hz, Sweeping	1	1	1	0	1	0	Tone 29	Tone 5
25	2400/2900 Hz @ 50 Hz, Sweeping	0	0	0	1	1	0	Tone 29	Tone 5
26	Bell	1	0	0	1	1	0	Tone 2	Tone 15
27	554 Hz, Continuous	0	1	0	1	1	0	Tone 26	Tone 5
28	440 Hz, Continuous	1	1	0	1	1	0	Tone 2	Tone 5
29	800/1000 Hz @ 7 Hz, Sweeping	0	0	1	1	1	0	Tone 7	Tone 5
30	300 Hz, Continuous	1	0	1	1	1	0	Tone 2	Tone 5
31	660/1200 Hz @ 1 Hz, Sweeping	0	1	1	1	1	0	Tone 26	Tone 5
32	Two-tone chime	1	1	1	1	1	0	Tone 26	Tone 15
33	745 Hz @ 1 Hz, Intermittent	0	0	0	0	0	1	Tone 2	Tone 5
34	1000 & 2000 Hz @ 0.5 s, Alternating - Singapore	1	0	0	0	0	1	Tone 38	Tone 45
35	420 Hz @ 0.625 s, Australian Alert	0	1	0	0	0	1	Tone 36	Tone 5
36	500-1200 Hz 3.75 s/0.25 s, Australian Evac.	1	1	0	0	0	1	Tone 35	Tone 5
37	1000 Hz, Continuous, - PFEER Toxic Gas	0	0	1	0	0	1	Tone 9	Tone 45
38	2000 Hz, Continuous	1	0	1	0	0	1	Tone 34	Tone 45
39	800 Hz 0.25 s ON, 1 sec OFF, Intermittent	0	1	1	0	0	1	Tone 23	Tone 17
40	544 Hz (100 ms)/440 Hz (400 ms), - NF S 32-001	1	1	1	0	0	1	Tone 31	Tone 27
41	Motor Siren - slow rise to 1200 Hz	0	0	0	1	0	1	Tone 2	Tone 5
42	Motor Siren - slow rise to 800 Hz	1	0	0	1	0	1	Tone 2	Tone 5
43	1200 Hz, Continuous	0	1	0	1	0	1	Tone 2	Tone 5
44	Motor Siren - slow rise to 2400 Hz	1	1	0	1	0	1	Tone 2	Tone 5
45	1 KHz 1 s ON, 1 s OFF, Intermittent, - PFEER Gen. Alarm	0	0	1	1	0	1	Tone 38	Tone 34

Hazardous Location Horns and Beacons

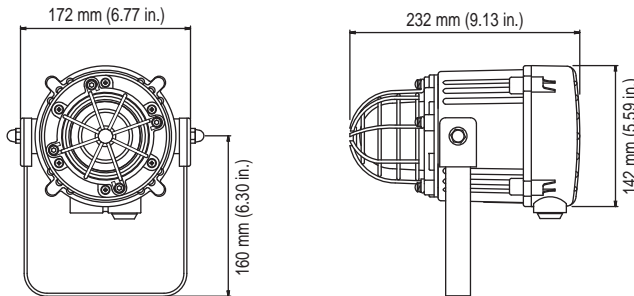
Approximate Dimensions

Dimensions in millimeters (inches). Dimensions are not intended to be used for manufacturing purposes.

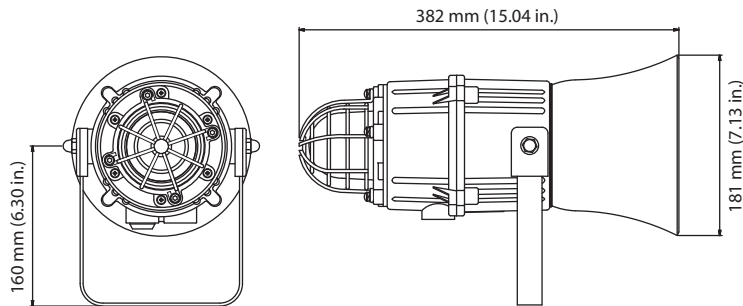
Horns



Beacons



Horn & Beacon Combinations



Public Address Loudspeakers

